



2022 PRICE CATALOG

AFFORDABLY PRICED, RELIABLE QUALITY





Jeffrey N. NeRoy
National Sales Director



Will Pettis
Technical Support Director

Affordably priced, reliable quality

The corporate vision: "the pursuit of exceptional dental equipment", ADS has specialized in manufacturing dental capital equipment for more than 15 years. Attention to detail is always the most important factor with regard to our quality control system. Our equipment is sold in over 80 countries worldwide including Western Europe and Japan.

Our Ontario California location houses our equipment showroom and warehouse facility. All our equipment inventory and spare parts are stocked for fast delivery anywhere in the United States. Our outside field sales and technical support teams help to facilitate support in the ordering and the installation of our equipment, making the transition from ordering to install seamless. Our primary goal is to design, create and supply contemporary and reliable dental equipment at an affordable price.

Following our company core values: Quality first, Trust, Respect, Passion and Happiness; the ADS team will endeavor to provide products that incorporate a user friendly experience for the dental professional while providing after sales support to our customers and dealer network.



Quality first

Trust • Respect • Passion • Happiness

National Sales Director	Technical Support Director
-------------------------	----------------------------

Jeffrey N. NeRoy
 Tel: 623 262 0246
 Address: Denver, CO

Will Pettis
 Tel: 954 240 0902
 Address: 2411 Bellarosa Circle
 Royal Palm Beach, FL. 33411

S. CA. Hawaii, Las Vegas AZ.	AL. MS. TN. Panhandle of FL. LA w/exception of Shreveport	TX. OK, Shreveport LA.
------------------------------	---	------------------------

Rick & Sheila Wake
 Rick Wake Cell: 949 500 2619
 Sheila Wake Cell: 949 500 0096
 Address: 2001 Entrada Paraiso
 San Clemente, CA. 92672

Tom Scarbrough
 Tel: 205 910 1013
 Address: 3636 Brookwood Road
 Birmingham, AL. 35223

Ralph & Kyle Toland
 Ralph Cell: 713 557 0277
 Kyle Cell: 713.410.7111
 Office: 281 437 8949
 Address: 702 W. 39th St. Houston, TX. 77018

WA. Or. ID. AK	NYC, Long Island, NY Westchester County, NJ, E.PA.	Delaware, DC, Maryland, Virginia, and Eastern West Virginia
----------------	--	---

Ferdie Matos
 Tel: 503 358 4991
 Address: 2655 NW Garryanna Dr. Apt. 1
 Corvallis, OR. 97330

Mark Hahn
 Tel: 201 259 5368
 Address: 14 Boehm Dr. Lebanon NJ.
 08833

Steve Marshall & Linda Marshall
 Steve Cell: 410.459.1240
 Linda Cell: 410.459.1106
 Add.: 41064 Dorati Square Leesburg, VA. 20175

NH. VT. ME. MA. CT. Albany, NY.	Florida, exception for the Panhandle, Caribbean w/exception for Dominican Rep. Central America	MN, ND, SD, IA, WI
---------------------------------	--	--------------------

Paul Snell & Paul Roullard
 Snell Cell: 978 852 5229
 Roullard Cell: 978 852 5226
 Address: 18 Anna Dr. Danvers MA. 01923

Paulo Muller
 Tel: 954 839 7837
 Address: 1681 NW 70th Ave. Apt. 104
 Plantation, FL. 33313

Larry Wicks & Ken Metcalf
 Larry Cell: 612 670 9590
 Ken Cell: 952 270 1436
 Address: 14567 Florissant Path
 #301 Apple Valley, MN. 55124

Northern CA, Northern Nevada	N. & S Carolina, Georgia, East Tennessee	Michigan Ohio, Indiana Kentucky and Western West Virginia
------------------------------	--	---

Chris Moulrot
 Tel.: 925 997 6998

Mike Shaw & Nathan Shaw
 Mike Cell: 770.598.8783
 Nathan Cell: 678 778 1295
 Add.: 996 Garrison Trail Canton, GA. 30115

Guy Gismondi
 Tel.: 734 516 1597
 Add.: 11954 Beacon Hill Dr, Plymouth, Michigan , 48170

CO. UT. KS. MO.

John Doran
 Tel: 719 481 9577
 Address: 2785 Arnold Ave.
 Monument, CO. 80132



Manufacturer's Warranty

All products sold to and installed by authorized ADS dealers are warranted against defects in materials and workmanship for a period of five (5) years from date of purchase.

Patient chair, Surgical Chair and hydraulic system are guaranteed for five (5) years after date of purchase, subject to installation and service qualification.

Upholstery is guaranteed for one (1) year under normal use and services after date of purchase.

Delivery system is guaranteed for five (5) years after date of purchase.

Dental light is guaranteed for two (2) years after date of purchase.

Orthodontic Cart is guaranteed for one (1) year after date of purchase.

Stool is guaranteed for one (1) year after date of purchase.

Fiber optic hand-piece tubing has six (6) months warranty after date of purchase.

Faulty parts will be repaired or replaced as determined by dealer service representative. No claim for labor or consequential damages will be allowed.

The warranty does not cover damage from improper installation or maintenance, misuse, or accidents incurred in shipping.

Shipping

All prices are Ex Works Ontario California, U.S.A.

Standard shipping will be by ground. Air or expedited service is available upon request.

Customer Service

Available Monday thru Friday, 7:30 AM to 4:30 PM, Pacific Standard Time

Technical support : 800 488 9708

E-Mail: sales@adsequip.com

Tel: 626-6200456

Address: 1590 S Milliken Ave., unit A, Ontario, CA 91761

Upholstery Maintenance Instruction

The upholstery provides users unparalleled comfort, excellent aesthetics and reliable quality.

The upholstery has a one-year warranty on defective materials and workmanship.

This instruction ensures a longer life of the upholstery if it is properly maintained.

Cleaning

Users can clean the upholstery with mild solution, non-ionic detergent, water or cleaners without alcohol, bleach or ammonia.

Do not use abrasive cleansers or tools which can permanently damage the surface of upholstery.

Disinfection

ADS Dental System suggests disinfecting the leather once a month with a 3% hydrogen peroxide solution, leather cleaner or 3% multi-enzyme cleaner based on its instruction to ensure effective disinfection, and then fully wipe it with water.

Non Acceptable Disinfectants And Cleaners Include

Alcohol, potentiated glutaraldehyde disinfectant, liquid bleach, Benzammonium bromide (Benzalkonium chloride) disinfectant, Benzoyl chloride ammonium propanol disinfectant or any kind of acid and alkaline disinfectants which will lead to the aging, cracking or color difference of the upholstery.

Damage Or Discoloration Of Surface Finishes Is Not Covered Under The ADS Warranty.

ADS Dental System makes no representation as to the disinfection efficacy of any disinfectant product. questions regarding product efficacy should be directed to the specific manufacturer of that product. we make no warranty expressed or implied regarding any damage resulting from the use of any disinfectant. damage and/or discoloration of any surface is not covered by our warranty.

Return & Refund Policy

ADS Equipment will accept return and unused product within 60 days of ship date, subject to the following conditions:

The product must be unused, saleable and returned in the original shipping materials. The box or boxes may have been opened but all contents must be returned.

Call: ADS Equipment at 626.620.0456 with the original purchase order number and request a return materials authorization (RMA) number be printed on the box (e.g. RMA 12345).

Ship product to:

ADS Equipment

1590 S. Milliken Ave. Unit A

Ontario, CA. 91761

Return shipping cost is the customer's responsibility.

After receipt and inspection of the returned product, ADS will either credit the customer's account or return payment via the payment card for the invoiced product price plus applicable taxes less a 25% restocking fee and payment discounts taken. Shipping and handling charges are not subject to a refund.

Damaged in Transit

If a product is damaged upon delivery to our dealer, it is the dealers responsibility to notify the shipper immediately of the damage, so a claim can be assessed. They must also notify ADS immediately.

Special Order Items

Special orders cannot be returned.

Delivery Terms:

Lead Time: Stock orders are shipped within 2 weeks of order date. Special order lead time is negotiable, to be specified on customer's purchase order.

Shipping: All orders are subject shipping and handling charges unless otherwise arranged. All orders are shipped via FedEx ground unless size dictates another method. Expedited delivery, as specified on customer's purchase order, is available at an additional charge.

Promotional pricing: Orders booked to take advantage promotional pricing must be shipped prior to that promotion's expiration date.

Company Profile	1
Territory Managers	2
Manufacturer's Warranty	3~4
Table of Contents	5
Patient Chair	6~8
Pediatric Chairs	9~10
Surgical Chair	11
Stools	12~13
Operatory Packages	14~49
Orthodontic Chair and Cart	50~57
Pediatric Packages	58~62
Delivery System	63~80
Dental Light	81~86
Accessories Option	87~88
Dental Chair Parts	89~103
Suction System	104~107
Air Compressor	108~112
Upholstery Colors	113



AJ12 Chair

Standard Features

- AJ12 Electromechanical chair with 3 programmable positions,
- Articulating headrest,
- Swing out armrest,
- Steel backrest stand,
- Steel base plate,
- Chair safety switch,
- Wide backrest, Upgraded fiber leather,
- One touchpad attached on armrest, Foot control

Specifications:

- Weight 320lbs;
- Max patient load 400lbs;
- Electrical requirements AC110V±22V;
50HZ , 60HZ;
- Environmental requirements Ambient temperature 5 °C~40 °C;
Humidity ≤ 80%;
Atmospherical pressure 8.7psi~15.4psi;
- Motor run time Intermittent operation 30s On / 5min Off;

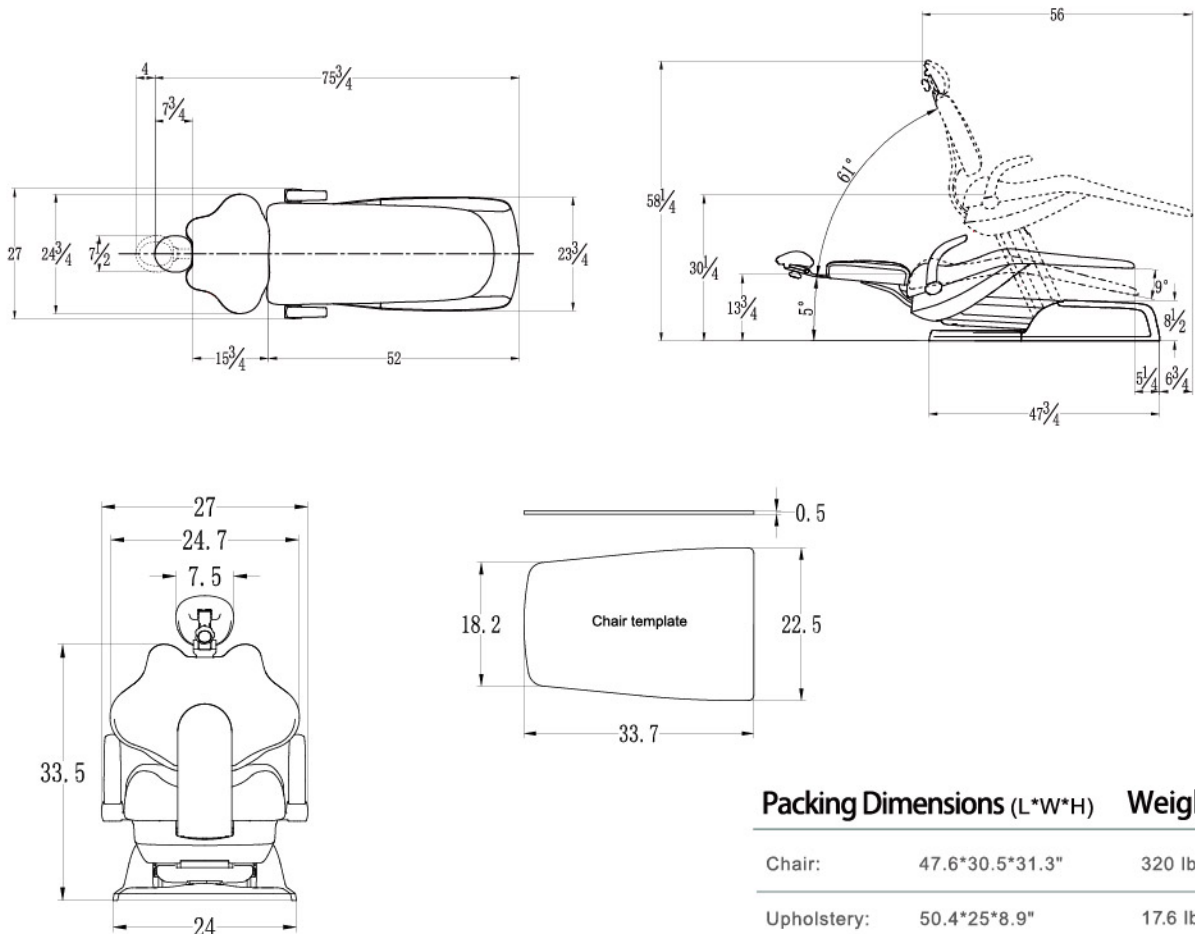
Patient chair

Part number: **A091201**

Retail Price **\$4,282**

Dimensions

Unit: inch





AJ15 Chair

Standard Features

- AJ15 hydraulic chair with 3 programmable positions,
- Articulating headrest,
- Swing up/down aluminium armrest,
- Narrow backrest, upgraded fiber leather,
- Cast iron chair frame,
- Steel backrest stand,
- Steel base plate,
- 60 degrees seat rotation, chair safety switch,
- One touchpad attached on armrest, Foot control

Specifications:

- Weight 364lbs;
- Max patient load 550lbs;
- Electrical requirements AC110V±22V;
50HZ , 60HZ;
- Environmental requirements Ambient temperature 5 °C~40 °C;
Humidity ≤ 80%;
Atmospherical pressure 8.7psi~15.4psi;
- Hydraulic pump run time Intermittent operation 2min On / 18min Off;

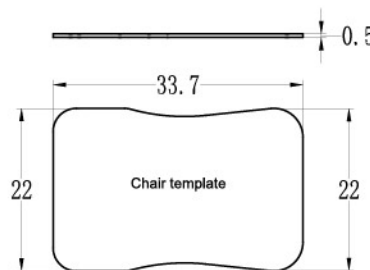
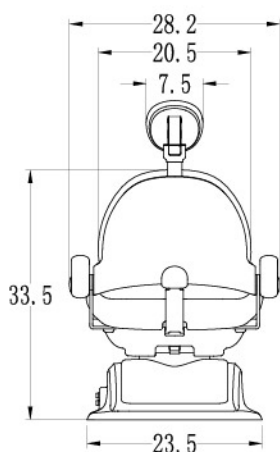
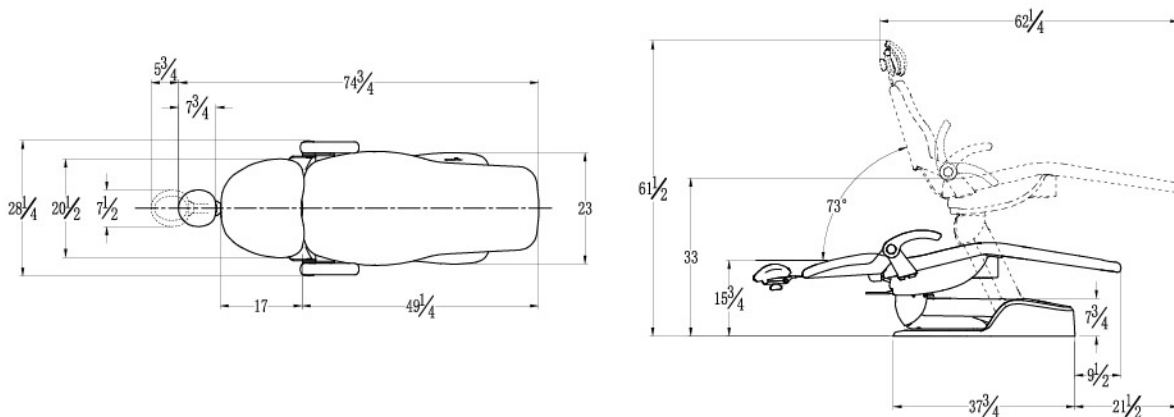
Patient chair

Part number: **A091502**

Retail Price **\$6,674**

Dimensions

Unit: inch



Packing Dimensions (L*W*H) Weight

Chair:	47.6*30.5*31.3"	364 lbs.
Upholstery:	50.4*25*8.9"	17.6 lbs.



AJ16 Chair

Standard Features

- AJ16 Luxury hydraulic chair, with 3 programmable positions,
- Articulating headrest,
- Swing up/down aluminium armrest,
- Wide backrest, upgraded fiber leather,
- Cast iron chair frame,
- Cast aluminium backrest stand,
- Cast aluminium base,
- 60 degrees seat rotation, chair safety switch,
- One touchpad attached on armrest, Foot control

Specifications:

- Weight 366lbs;
- Max patient load 550lbs;
- Electrical requirements AC110V±22V;
50HZ , 60HZ;
- Environmental requirements Ambient temperature 5 °C~40 °C;
Humidity ≤ 80%;
Atmospherical pressure 8.7psi~15.4psi;
- Hydraulic pump run time Intermittent operation 2min On / 18min Off;

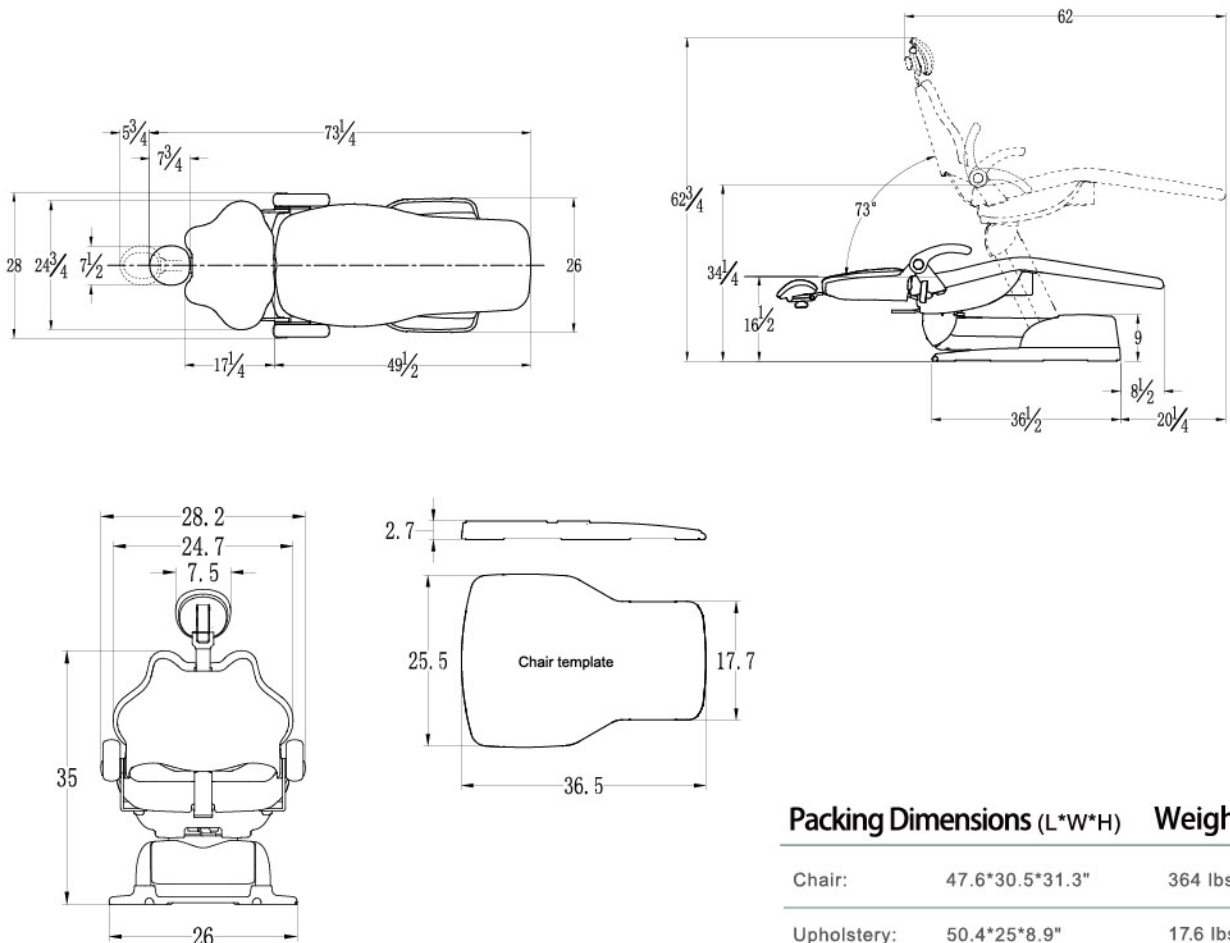
Patient chair

Part number: **A091602**

Retail Price **\$7,556**

Dimensions

Unit: inch



AJ17 Pediatric Chair



Standard Features

AJ17 Electromechanical Pediatric chair, telescoping backrest, Little size for 3-10 year old kids, 3 programmable positions, 0 position and LP last position, Articulating headrest, Swing out armrest, Steel backrest stand, Steel base plate, Chair safety switch, Upgraded fiber leather, One touchpad attached on armrest, Foot control

Specifications:

Weight 265lbs;
 Max patient load 400lbs;
 Electrical requirements AC110V±22V;
 50HZ , 60HZ;
 Environmental requirements Ambient temperature 5 °C~40 °C;
 Humidity ≤ 80%;
 Atmospherical pressure 8.7psi~15.4psi;
 Motor run time Intermittent operation 30s On / 5min Off;

Patient chair

Part number: **A091701**

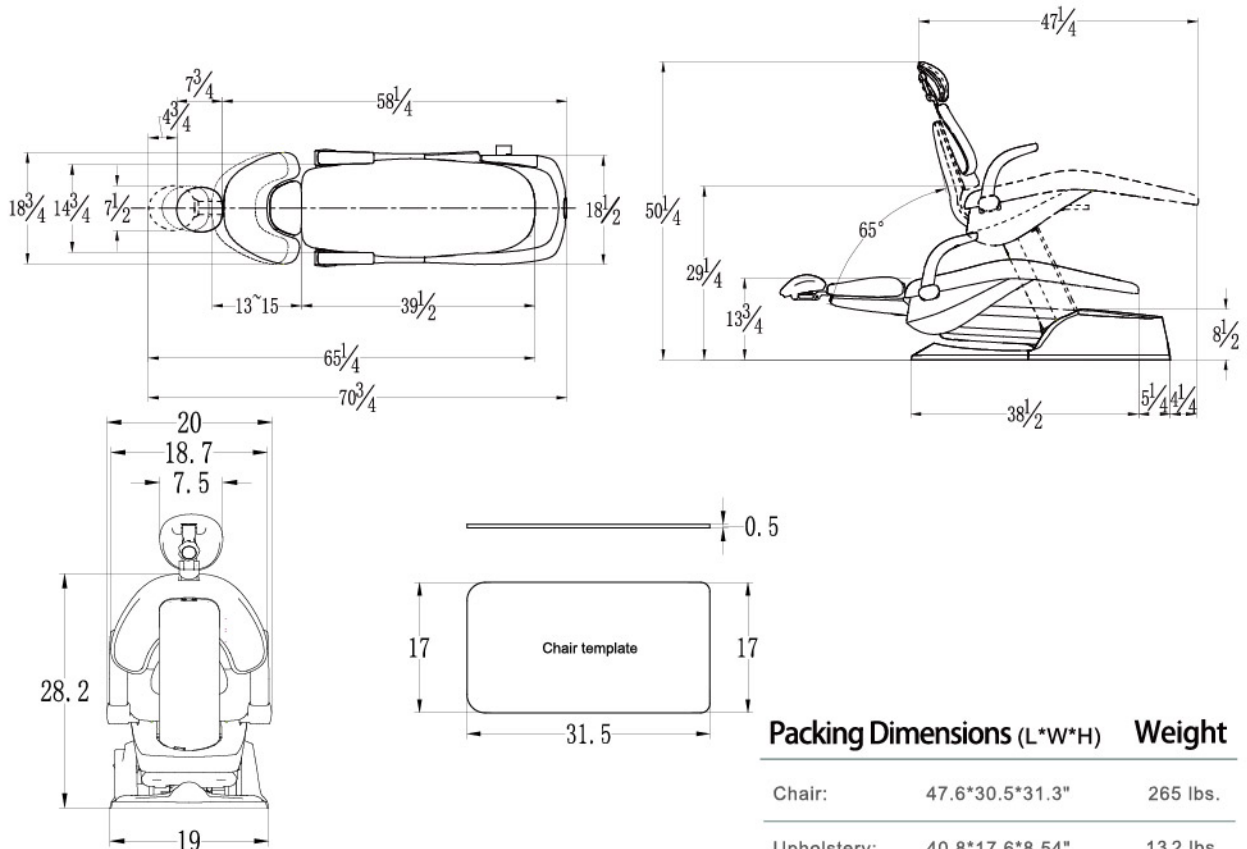
Retail Price **\$4,786**

Upholstery Color Selections



Dimensions

Unit: inch



AJ19 Pediatric Bench

Standard Features

AJ19 Electromechanical pediatric bench with up down function,
 Articulating headrest,
 Chair safety switch,
 Foot controll articulating headrest
 Sturdy cast iron structure & aluminum base,
 Foot control



Patient chair

Part number: **A091901**

Retail Price **\$5,038**

Specifications:

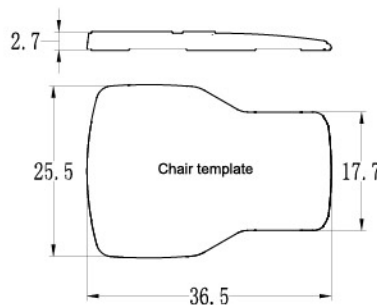
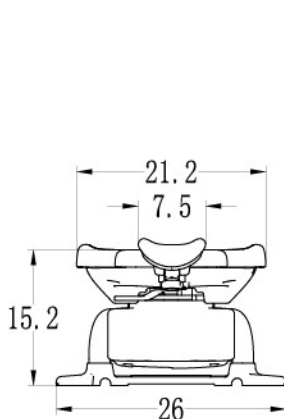
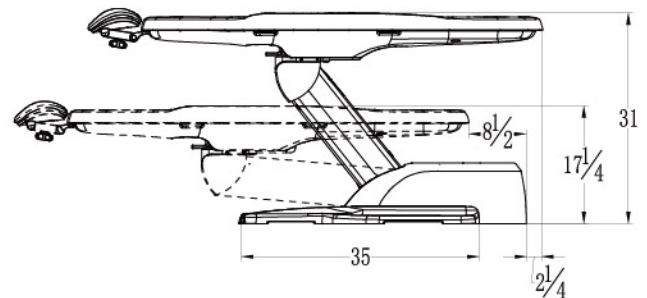
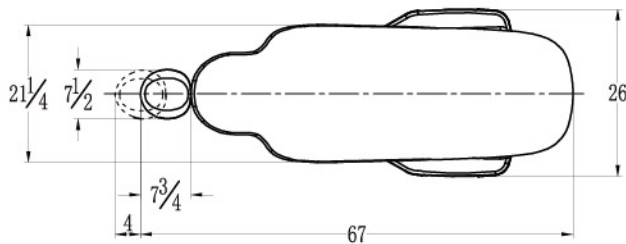
Weight 331lbs;
 Max patient load 400lbs;
 Electrical requirements AC110V±22V;
 50HZ , 60HZ;
 Environmental requirements Ambient temperature 5 °C~40 °C;
 Humidity ≤ 80%;
 Atmospheric pressure 8.7psi~15.4psi;
 Motor run time Intermittent operation 30s On / 5min Off;

Upholstery Color Selections



Dimensions

Unit: inch



Packing Dimensions (L*W*H) Weight

Chair:	63*30.5*22.7"	331 lbs.
Upholstery:	50.4*25*8.9"	17.6 lbs.

AA6688 Surgical Chair

Standard Features

- Uncompromising quality and support
- Perfect surgical comfort
- Suitable for vulnerable groups
- Multiple colors to be selected
- Premium quality at an affordable price
- Maximum leg room
- Hand Control
- Foot Control

Specifications:

Weight	276lbs
Max patient load	298lbs
Electrical requirements	AC110~240V 50/60Hz
Environmental requirements	+10℃ ~ +40℃
Humidity	30% ~ 75%
Atmospherical pressure	10.2psi~15.4psi (70kPa ~106kPa)



Part number: **A0901032**

Retail Price **\$8,162**

Options: IV Arm Board

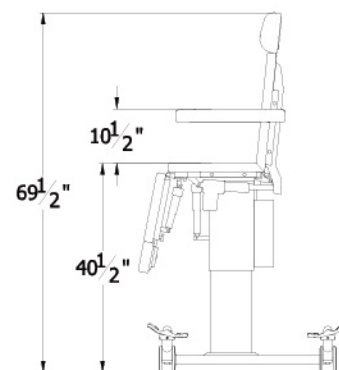
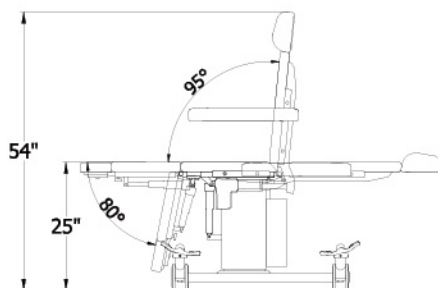
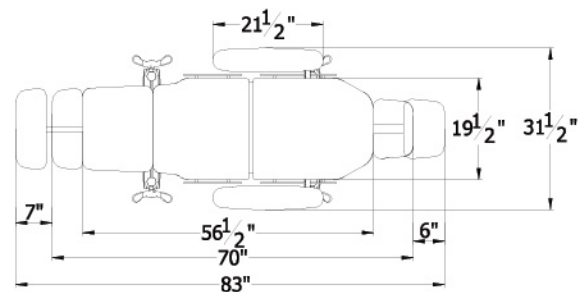
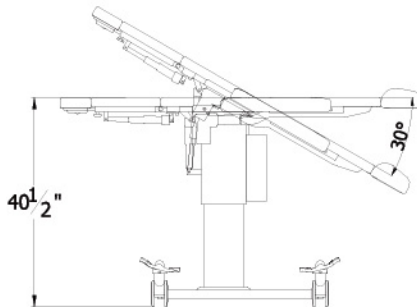
Part number: **A121421**

Retail Price **\$1000**



Dimensions

Unit: inch



Packing Dimensions (L*W*H) Weight

Chair:	47.6*30.5*31.3"	364 lbs.
Upholstery:	50.4*25*8.9"	17.6 lbs.



D3 Doctor Stool

Standard Features

Chrome plated pneumatic cylinder
 Height adjustment, Backrest forward backward adjustment,
 Seat surface adjustment,
 Contoured seat & back, Fiber leather upholstery
 Cast aluminum star, Quiet twin wheel casters,
 1 year warranty

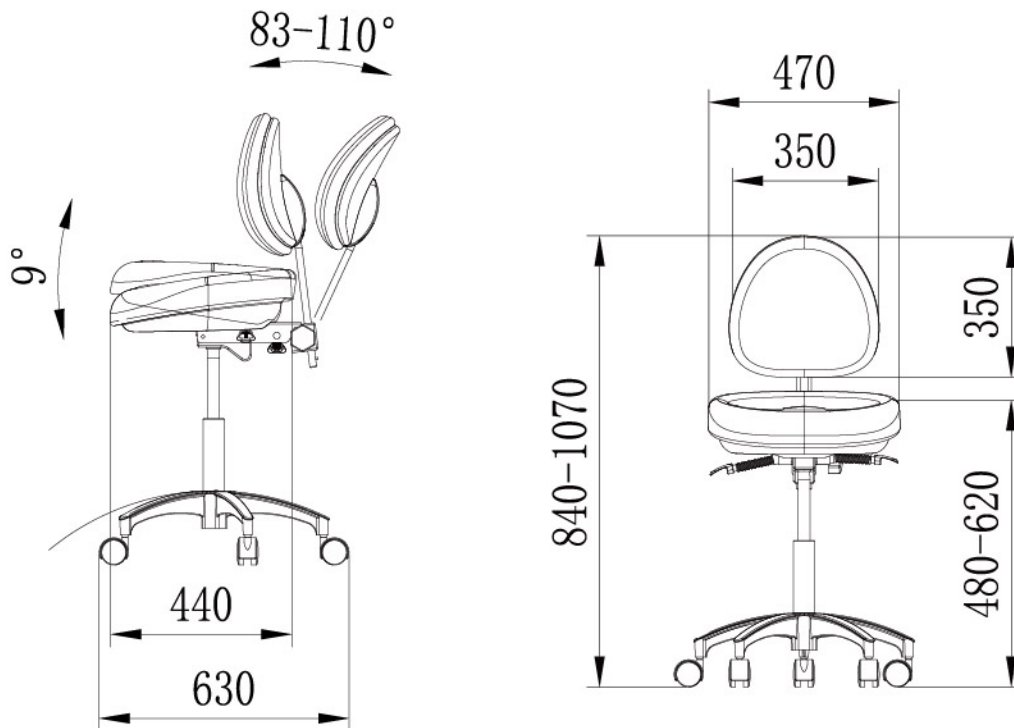
Dentist stool

Part number: **A080103**

Retail Price **\$568**

Dimensions

Unit: inch



Packing Dimensions (L*W*H) Weight

D3 Doctor stool 22.9*21.5*13.8 24.7 lbs.



N4 Assistant Stool

Standard Features

- Round seat, Fiber leather upholstery,
- Chrome plated pneumatic cylinder
- Adjustable chrome foot ring
- Cast aluminum star
- Ratcheting body support,
- 1 year warranty

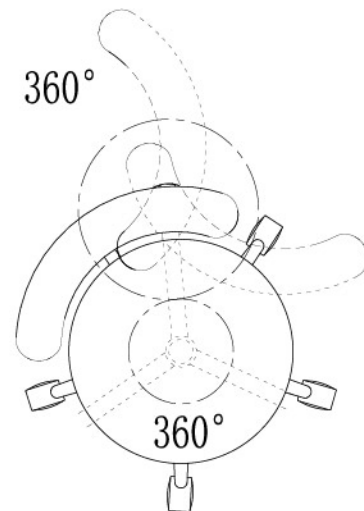
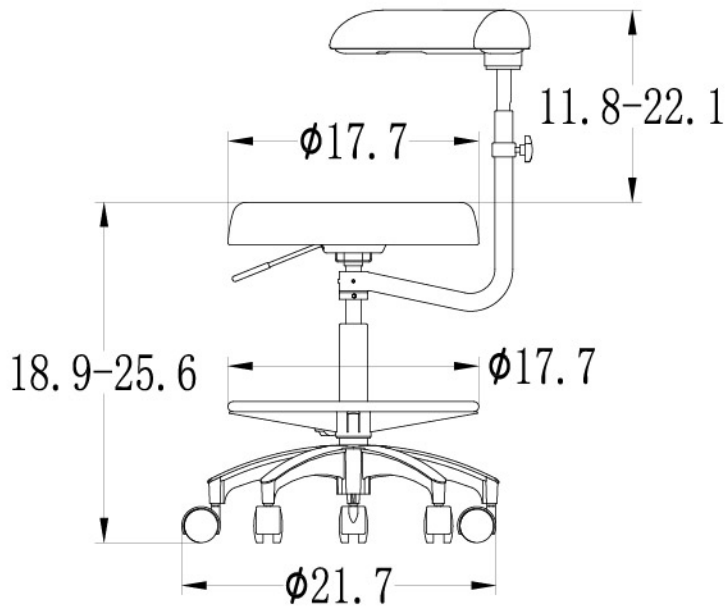
Assistant stool

Part number: **A080224**

Retail Price **\$694**

Dimensions

Unit: inch



Packing Dimensions (L*W*H) Weight

N4 Assistant stool 42.5*22.6*10.2" 31 lbs.



AJ12 Operatory Packages

AJ12 Chair







Options



Continental dentist's control
Part number: A0502532



Amber LED light
Part number: A121714



Touch pad for Classic delivery tray
Part number: A121712

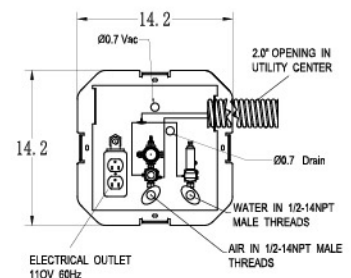
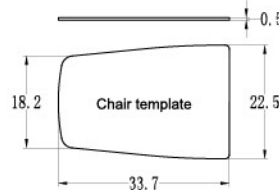
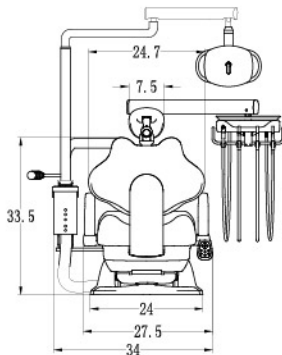
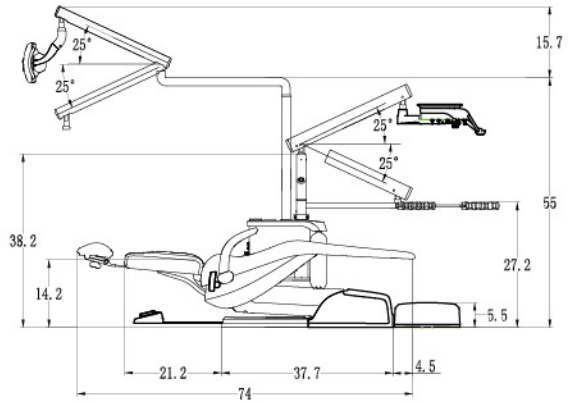
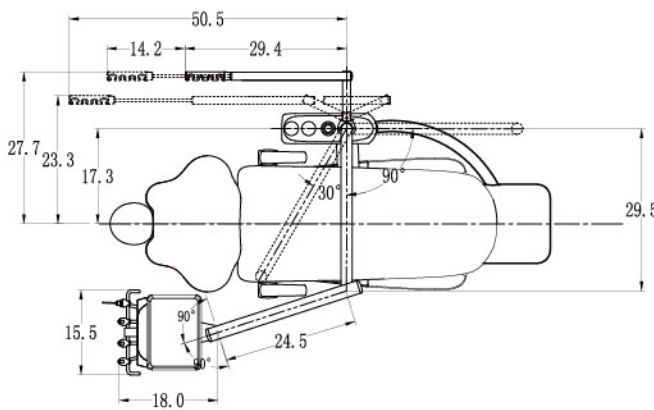


HP Fiber optic system with 1 tubing (6 pin)
Part number: A121532

AJ12 Classic100

Dimensions

Unit: inch



AJ12 Classic100

Standard Features

- AJ12 Electromechanical chair with 3 programmable positions,
- Articulating headrest, Swing out armrest,
- Steel backrest stand, Steel base plate, Chair safety switch,
- Wide backrest, Upgraded fiber leather,
- One touchpad, Foot control
- Classic dentist's control head with 3 auto H.P. control,
- Individual water coolant controls,
- Master handpiece air coolant adjustment,
- Asepsis handpiece tubing,
- Master on/off switch, 1 doctor syringe, Wet/Dry foot control,
- Stainless steel tray with non-slip pad, Flex arm air brake switch
- Classic 100 Post mounted utility (PMU) with steel side box,
- City water/bottled system, Water outlet and air QD,
- Solids collector,
- 2 HVE, 1SE, 1 syringe on telescoping assistant's control,
- Junction box with air/water filters, regulators, master shut-off valves,
- 5 ft. umbilical
- Post mount LED light with sensor control, 3 level intensity adjustment

Operatory System

Part number	Description	Retail Price
A9121001	AJ12 Classic100 OTP Operatory Package without cuspidor	\$8,564

Package includes

A091201	AJ12 EL Chair Electricmechanical patient chair with 3 programmable postions and fiber leather	\$4,282
A0711001	Classic 100 delivery system Classic Over the patient (OTP) dental unit with PMU	\$3,274
A0502520	• Classic Post mount Dentist's Control Classic dentist's control head with 3 auto H.P. control, 1 doctor syringe, Wet/Dry foot control, Stainless steel tray with non-slip pad, Rigid arm and Flex arm	\$2,268
A0710010	• Classic 100 Post Mounted Utility (PMU) Classic 100 Post mounted utility (PMU) with steel side box, City water/bottled system, Water outlet and air QD, Telescoping assistant's arm with 2 HVE, 1SE, 1 syringe, Junction box with valves	\$1,008
A0602600	Post mount Whale LED light Post mount touchless sensor Whale LED light with 30" light post	\$1,008
A11202	Chair adapter B Chair adapter for ADS chairs	No charge in ADS package

Options

Options		Packing Dimensions (L*W*H)	Weight
A121532	HP Fiber optic system with 1 tubing (6 pin) \$352	Chair: 47.6*30.5*31.3"	320 lbs.
A121533	HP Fiber optic system with 2 tubings (6 pin) \$504	Upholstery: 50.4*25*8.9"	18 lbs.
A121712	Touch pad for Classic delivery tray \$454	Classic Dentist's Control: 30.4*19.1*12"	21 lbs.
A120501	ADS post mount Monitor bracket \$604	PMU: 43.9*21.1*13.7"	33 lbs.
A120401	Built-in scaler \$604	Dental Light: 31.1*18.1*7.1"	17 lbs.
A120301	Built-in curing light \$454		
A121915	Additional umbilical per foot for Classic 100 \$38/ft		
A121714	Amber LED light \$252 Add		
A0502532	Continental dentist's control \$882 Add		
A080103	D3 Doctor stool \$568		
A080224	N4 Assistant stool \$694		
A121534	Electric handpiece motor \$2332		
8018895	Additional 4th handpiece tubing \$198		
A121963	Bien Air MCX Built In System Call For Price		



Options



Continental dentist's control
Part number: A0502532



Amber LED light
Part number: A121714



Touch pad for Classic delivery tray
Part number: A121712

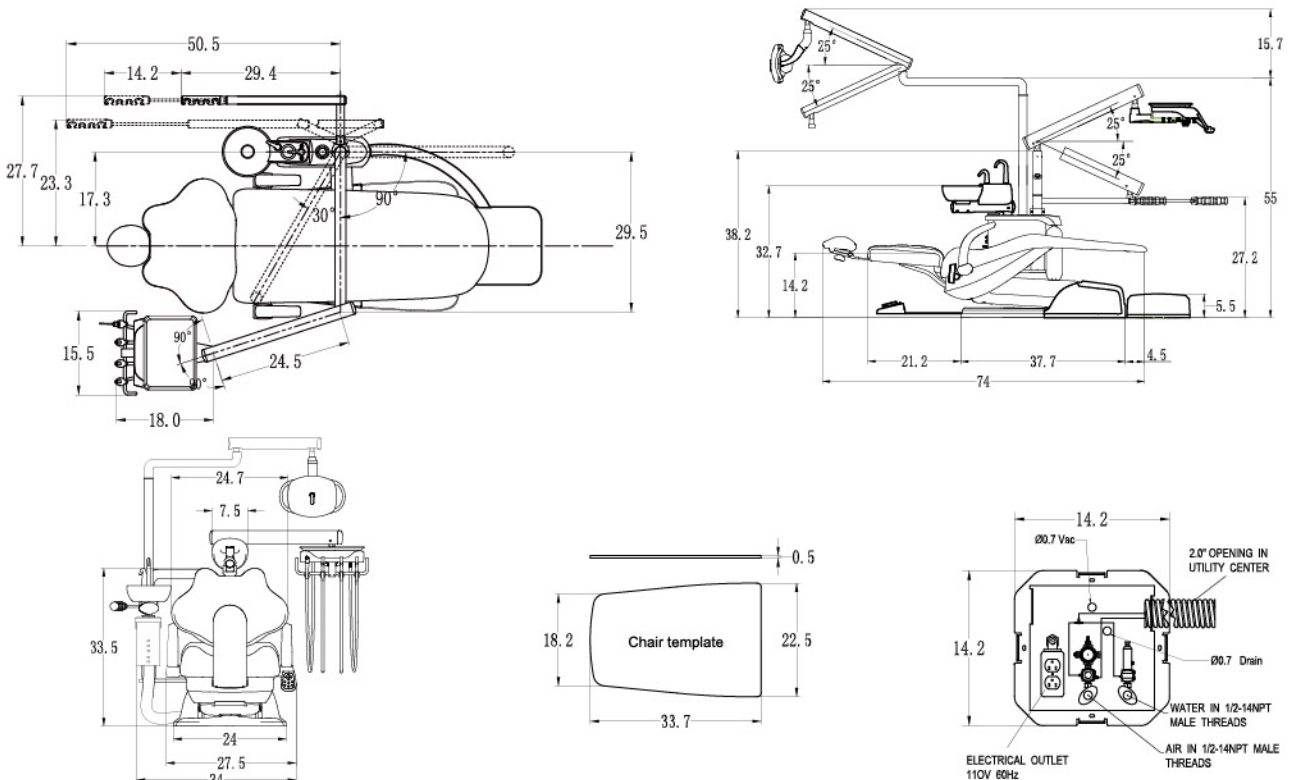


HP Fiber optic system with 1 tubing (6 pin)
Part number: A121532

AJ12 Classic101

Dimensions

Unit: inch



AJ12 Classic101

Standard Features

- AJ12 Electromechanical chair with 3 programmable positions,
- Articulating headrest, Swing out armrest,
- Steel backrest stand, Steel base plate, Chair safety switch,
- Wide backrest, Upgraded fiber leather,
- One touchpad, Foot control
- Classic dentist's control head with 3 auto H.P. control,
- Individual water coolant controls,
- Master handpiece air coolant adjustment,
- Asepsis handpiece tubing,
- Master on/off switch, 1 doctor syringe, Remote toggles for cup fill and bowl rinse, Wet/Dry foot control,
- Stainless steel tray with non-slip pad, Flex arm air brake switch,
- Porcelain cuspidor bowl with strainer, Cup fill & Bowl rinse toggles.
- Classic 101 Post mounted utility (PMU) with steel side box,
- City water/bottled system, Water outlet and air QD,
- Solids collector,
- 2 HVE, 1SE, 1 syringe on telescoping assistant's control,
- Junction box with air/water filters, regulators, master shut-off valves,
- 5 ft. umbilical
- Post mount LED light with sensor control, 3 level intensity adjustment

Operatory System

Part number	Description	Retail Price
A9121011	AJ12 Classic101 OTP Operatory Package with cuspidor	\$9,194

Package includes

A091201	AJ12 EL Chair AJ12 Electricmechanical patient chair with 3 programmable postions and fiber leather	\$4,282
A0711011	Classic 101 delivery system Classic Over the patient (OTP) dental unit with PMU and cuspidor	\$3,904
A0502520	• Classic Post mount Dentist's Control Classic dentist's control head with 3 auto H.P. control, 1 doctor syringe, Wet/Dry foot control, Stainless steel tray with non-slip pad, Rigid arm and Flex arm	\$2,268
A0710111	• Classic101 Post Mounted Utility (PMU) with cuspidor Classic 101 Post mounted utility (PMU) with cuspidor and steel side box, City water/ bottled system, Water outlet and air QD, Telescoping assistant's arm with 2 HVE, 1SE, 1 syringe, Junction box with valves.	\$1,638
A0602600	Post mount Whale LED light Post mount touchless sensor Whale LED light with 30" light post	\$1,008
A11202	Chair adapter B Chair adapter for ADS chairs	No charge in ADS package

Options

A121532	HP Fiber optic system with 1 tubing (6 pin)	\$352
A121533	HP Fiber optic system with 2 tubings (6 pin)	\$504
A121712	Touch pad for Classic delivery tray	\$454
A120501	ADS post mount Monitor bracket	\$604
A120401	Built-in scaler	\$604
A120301	Built-in curing light	\$454
A121916	Additional umbilical per foot for Classic 101	\$38/ft
A121714	Amber LED light	\$252 Add
A0502532	Continental dentist's control	\$882 Add
A080103	D3 Doctor stool	\$568
A080224	N4 Assistant stool	\$694
A121534	Electric handpiece motor	\$2332
8018895	Additional 4th handpiece tubing	\$198
A121963	Bien Air MCX Built In System	Call For Price

Packing Dimensions (L*W*H) Weight

Chair:	47.6*30.5*31.3"	320 lbs.
Upholstery:	50.4*25*8.9"	18 lbs.
Classic Dentist's Control:	30.4*19.1*12"	21 lbs.
PMU:	43.9*21.1*13.7"	33 lbs.
Dental Light:	31.1*18.1*7.1"	17 lbs.



Options



Continental dentist's control
Part number: A0502532



Amber LED light
Part number: A121714



Touch pad for Classic delivery tray
Part number: A121712

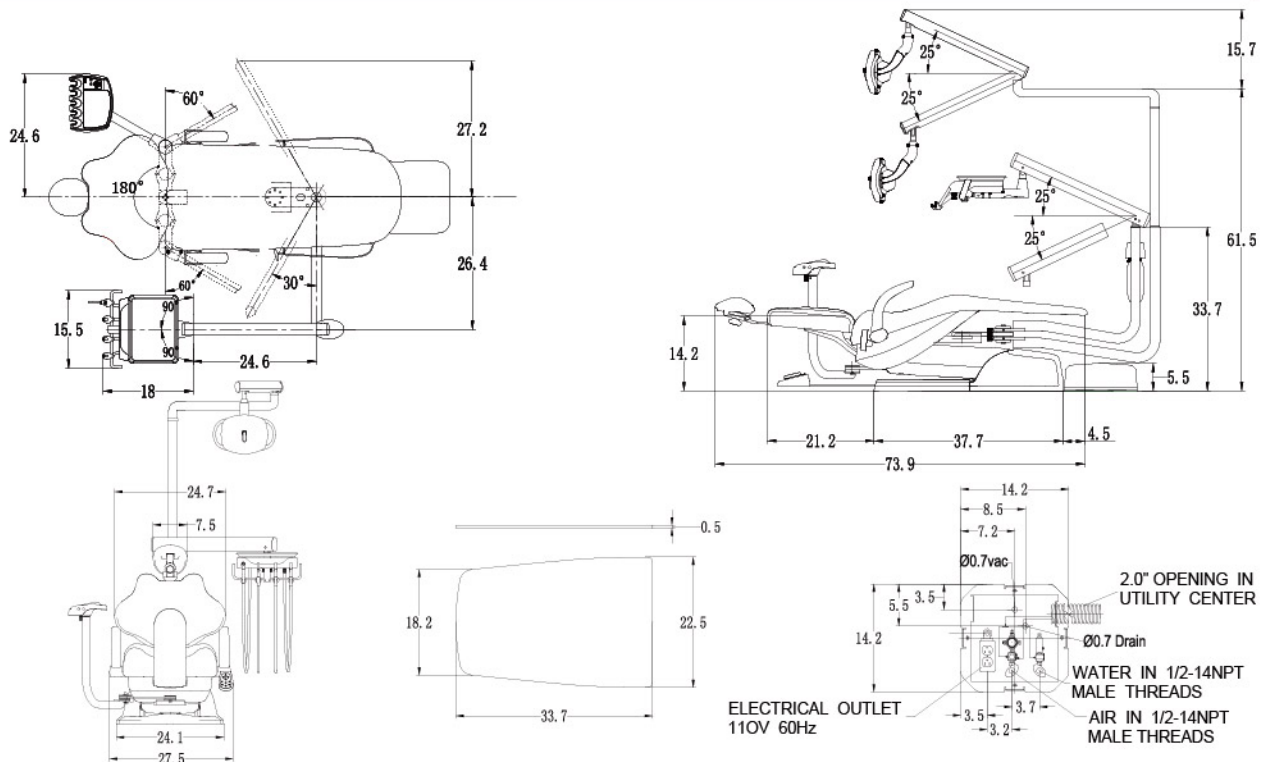


HP Fiber optic system with 1 tubing (6 pin)
Part number: A121532

AJ12 Classic 200

Dimensions

Unit: inch



AJ12 Classic 200

Standard Features

- AJ12 Electromechanical chair with 3 programmable positions,
- Articulating headrest, Swing up/down aluminium armrest,
- Narrow backrest, upgraded fiber leather, Cast iron chair frame,
- Steel backrest stand, Steel base plate,
- Chair safety switch,
- One touchpad, Foot control
- Chair mounted swing rear assistant vacuum package,
- Water outlet and air QD on assistant tray,
- Solids collector,
- 2 HVE, 1SE, 1 syringe
- Post mount LED light with sensor control, 3 level intensity adjustment
- Swing Classic dentist's control head with 3 auto H.P. control,
- Individual water coolant controls,
- Master handpiece air coolant adjustment,
- Asepsis handpiece tubing,
- Master on/off switch, 1 doctor syringe,
- Wet/Dry foot control, Stainless steel tray with non-slip pad,
- City/bottled water system, 5 ft umbilical,
- Junction box with air/water filters, regulators, master shut-off valves,

Operatory System

Part number	Description	Retail Price
A9122001	AJ12 Classic200 Left/Right Swing Operatory Package	\$9,572

Package includes

A091201	AJ12 Classic200 AJ12 Electricmechanical patient chair with 3 programmable postions and fiber leather	\$4,282
A0712003	Classic200 delivery system Classic 200 Left/ Right Swing Delivery System with 3 auto HP control, bottled water system, Swing assistant vac pac with 2HVE, 1SE and 1 syringe.	\$4,030
A0502521	• Classic Swing mount dentist's control Swing mount 3HP auto dentist's control, bottled water system, utility center and valves	\$2,896
A0332303	• Classic Swing mount assistant vacuum package Chair mounted swing rear assistant vacuum package, Water outlet and air QD on assitant tray, 2 HVE, 1SE, 1 syringe	\$1,134
A0603600	Swing mount Whale LED light Swing mount touchless sensor Whale LED Dental Light with 24" light post and swing compass arm	\$1,260
A11204	Chair Adapter D	No charge in ADS package

Options

		Packing Dimensions (L*W*H)	Weight
A121532	HP Fiber optic system with 1 tubing (6 pin)		\$352
A121533	HP Fiber optic system with 2 tubings (6 pin)		\$504
A121712	Touch pad for Classic delivery tray		\$454
A120501	ADS post mount Monitor bracket		\$604
A120401	Built-in scaler		\$604
A120301	Built-in curing light		\$454
A121902	Additional umbilical per foot for Classic 200		\$38/ft
A121714	Amber LED light		\$252 Add
A0502532	Continental dentist's control		\$882 Add
A080103	D3 Doctor stool		\$568
A080224	N4 Assistant stool		\$694
A121534	Electric handpiece motor		\$2332
8018895	Additional 4th handpiece tubing		\$198
A121963	Bien Air MCX Built In System		Call For Price
		Chair:	47.6*30.5*31.3" 320 lbs.
		Upholstery:	50.4*25*8.9" 18 lbs.
		Classic Dentist's Control:	30.4*19.1*12" 21 lbs.
		PMU:	43.9*21.1*13.7" 33 lbs.
		Dental Light:	31.1*18.1*7.1" 17 lbs.



Options



Continental dentist's control
Part number: A0502532



Amber LED light
Part number: A121714



Touch pad for Classic delivery tray
Part number: A121712

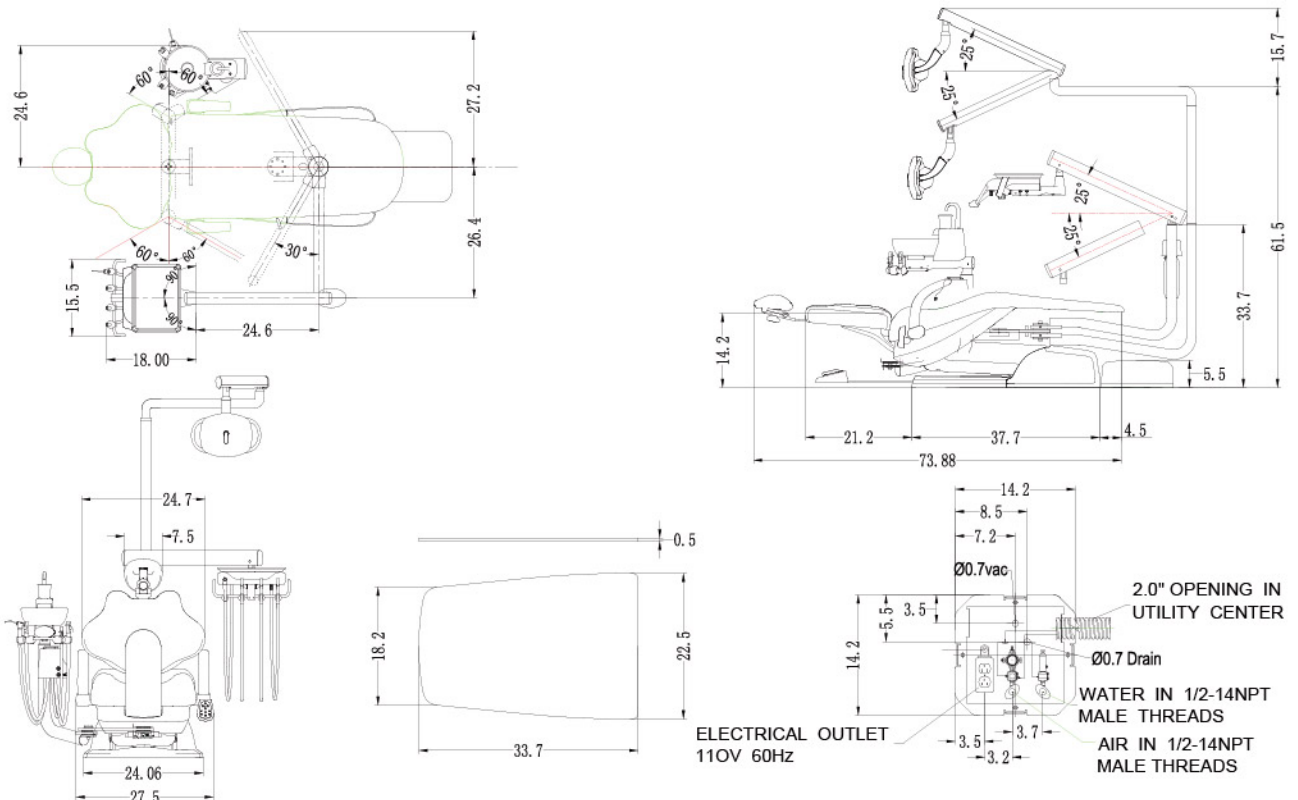


HP Fiber optic system with 1 tubing (6 pin)
Part number: A121532

AJ12 Classic 201

Dimensions

Unit: inch



AJ12 Classic 201

Standard Features

- AJ12 Electromechanical chair with 3 programmable positions,
- Articulating headrest, Swing up/down aluminium armrest,
- Narrow backrest, upgraded fiber leather, Cast iron chair frame,
- Steel backrest stand, Steel base plate,
- Chair safety switch,
- One touchpad, Foot control
- Swing Classic dentist's control head with 3 auto H.P. control,
- Individual water coolant controls,
- Master handpiece air coolant adjustment,
- Asepsis handpiece tubing,
- Master on/off switch, 1 doctor syringe,
- Wet/Dry foot control, Stainless steel tray with non-slip pad,
- City/bottled water system, 5 ft umbilical,
- Junction box with air/water filters, regulators, master shut-off valves,
- Swing mount Cupspidor and assistant vacuum package ,
- City water/bottled system, Water outlet and air QD,
- Solids collector,
- 2 HVE, 1SE, 1 syringe on telescoping assistant's control,
- Junction box with air/water filters, regulators, master shut-off valves, 5 ft. umbilical
- Post mount LED light with sensor control, 3 level intensity adjustment

Operatory System

Part number	Description	Retail Price
A9122011	AJ12 Classic201 Left/Right Swing Operatory Package with cuspidor	\$10,578

Package includes

A091201	AJ12 EL Chair AJ12 Electricmechanical patient chair with 3 programmable postions and fiber leather	\$4,282
A0712011	Classic201 delivery system Classic 201 Left/Right Swing compact Delivery System with 3 auto HP control, bottled water system, Swing mount side box, cuspidor and assistant vac pac with 2HVE, 1SE and 1 syringe.	\$5,038
A0502521	• Classic Swing mount dentist's control Swing mount 3HP auto dentist's control, bottled water system, utility center and valves	\$2,896
A0402400	• Classic/Beyond Swing mount cuspidor and assistant vacuum package 201/401 Chair mounted swing rear cuspidor and assistant vacuum package, 2 HVE, 1 SE, 1 syringe	\$2,142
A0603600	Swing mount Whale LED light Swing mount touchless sensor Whale LED Dental Light with 24" light post and swing compass arm	\$1,260
A11206	Chair adapter E No charge in ADS package	

Options

A121532	HP Fiber optic system with 1 tubing (6 pin)	\$352
A121533	HP Fiber optic system with 2 tubings (6 pin)	\$504
A121712	Touch pad for Classic delivery tray	\$454
A120501	ADS post mount Monitor bracket	\$604
A120401	Built-in scaler	\$604
A120301	Built-in curing light	\$454
A121918	Additional umbilical per foot for Classic 201	\$38/ft
A121714	Amber LED light	\$252 Add
A0502532	Continental dentist's control	\$882 Add
A080103	D3 Doctor stool	\$568
A080224	N4 Assistant stool	\$694
A121534	Electric handpiece motor	\$2332
8018895	Additional 4th handpiece tubing	\$198
A121963	Bien Air MCX Built In System	Call For Price

Packing Dimensions (L*W*H)

	Packing Dimensions (L*W*H)	Weight
Chair:	47.6*30.5*31.3"	320 lbs.
Upholstery:	50.4*25*8.9"	18 lbs.
Classic Dentist's Control:	30.4*19.1*12"	21 lbs.
PMU:	43.9*21.1*13.7"	33 lbs.
Dental Light:	31.1*18.1*7.1"	17 lbs.



AJ15 Operatory Packages

AJ15 Chair



AJ15 Classic 201



AJ15 Classic 101





Options



Continental dentist's control
Part number: A0502532



Amber LED light
Part number: A121714



Touch pad for Classic delivery tray
Part number: A121712

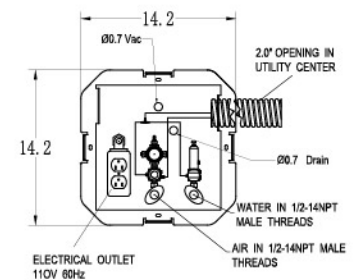
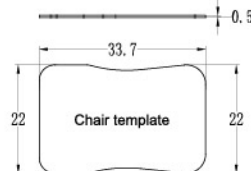
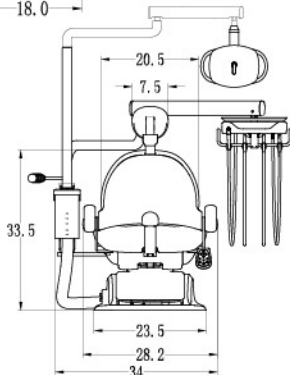
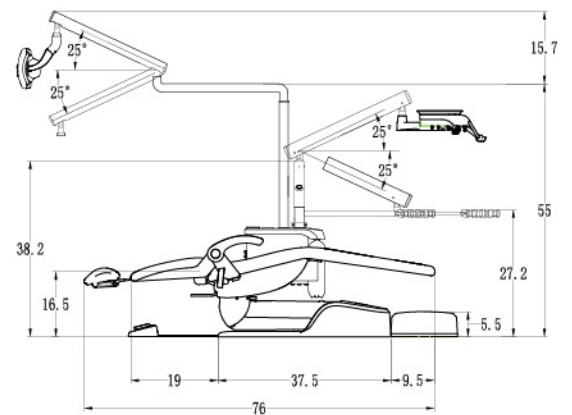
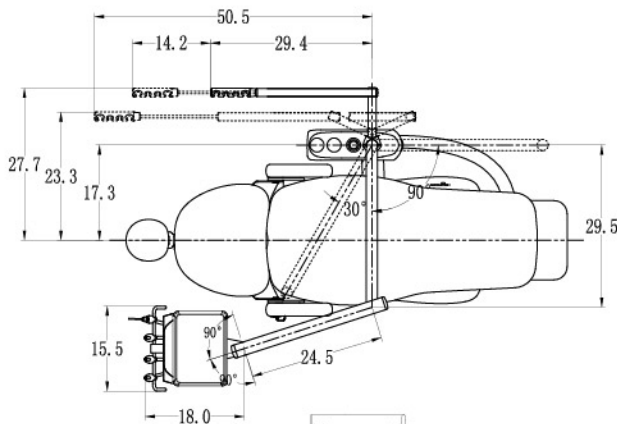


HP Fiber optic system with 1 tubing (6 pin)
Part number: A121532

AJ15 Classic100

Dimensions

Unit: inch



AJ15 Classic100

Standard Features

- AJ15 hydraulic chair with 3 programmable positions,
- Articulating headrest, Swing up/down aluminium armrest,
- Narrow backrest, upgraded fiber leather, Cast iron chair frame,
- Steel backrest stand, Steel base plate,
- 60 degrees seat rotation, chair safety switch,
- One touchpad, Foot control
- Classic dentist's control head with 3 auto H.P. control,
- Individual water coolant controls,
- Master handpiece air coolant adjustment,
- Asepsis handpiece tubing, Handpiece flush system,
- Master on/off switch, 1 doctor syringe, Wet/Dry foot control,
- Stainless steel tray with non-slip pad, Flex arm air brake switch
- Classic 100 Post mounted utility (PMU) with steel side box,
- City water/bottled system, Water outlet and air QD,
- Solids collector,
- 2 HVE, 1SE, 1 syringe on telescoping assistant's control,
- Junction box with air/water filters, regulators, master shut-off valves,
- 5 ft. umbilical
- Post mount LED light with sensor control, 3 level intensity adjustment

Operator System

Part number	Description	Retail Price
A9151002	AJ15 Classic100 OTP Operator Package without cuspidor	\$10,956

Package includes

A091502	AJ15 Hydraulic Chair AJ15 Narrow backrest hydraulic chair with 3 programmable positions and fiber leather	\$6,674
A0711001	Classic 100 delivery system Classic Over the patient (OTP) dental unit with PMU	\$3,274
A0502520	• Classic Post mount Dentist's Control Classic dentist's control head with 3 auto H.P. control, 1 doctor syringe, Wet/Dry foot control, Stainless steel tray with non-slip pad, Rigid arm and Flex arm	\$2,268
A0710010	• Classic100 Post Mounted Utility (PMU) Classic 100 Post mounted utility (PMU) with steel side box, City water/bottled system, Water outlet and air QD, Telescoping assistant's arm with 2 HVE, 1SE, 1 syringe, Junction box with valves	\$1,008
A0602600	Post mount Whale LED light Post mount touchless sensor Whale LED light with 30" light post	\$1,008
A11202	Chair adapter B Chair adapter for ADS chairs	No charge in ADS package

Options

Options		Packing Dimensions (L*W*H)	Weight
A121532	HP Fiber optic system with 1 tubing (6 pin) \$352	Chair: 47.6*30.5*31.3"	364 lbs.
A121533	HP Fiber optic system with 2 tubings (6 pin) \$504	Upholstery: 50.4*25*8.9"	18 lbs.
A121712	Touch pad for Classic delivery tray \$454	Classic Dentist's Control: 30.4*19.1*12"	21 lbs.
A120501	ADS post mount Monitor bracket \$604	PMU: 43.9*21.1*13.7"	33 lbs.
A120401	Built-in scaler \$604	Dental Light: 31.1*18.1*7.1"	17 lbs.
A120301	Built-in curing light \$454		
A121915	Additional umbilical per foot for Classic 100 \$38/ft		
A121714	Amber LED light \$252 Add		
A0502532	Continental dentist's control \$882 Add		
A080103	D3 Doctor stool \$568		
A080224	N4 Assistant stool \$694		
A121534	Electric handpiece motor \$2332		
A8018895	Additional 4th handpiece tubing \$198		
A121963	Bien Air MCX Built In System Call For Price		



Options



Continental dentist's control
Part number: A0502532



Amber LED light
Part number: A121714



Touch pad for Classic delivery tray
Part number: A121712

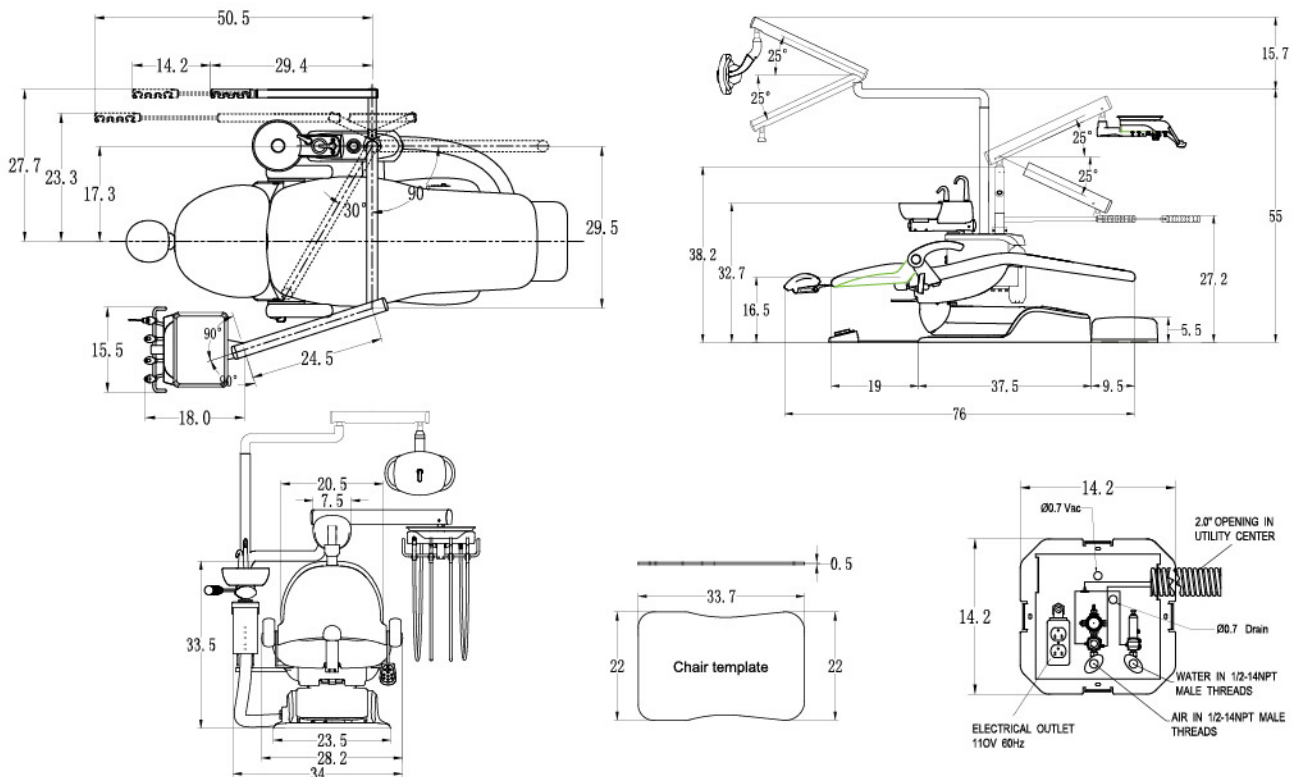


HP Fiber optic system with 1 tubing (6 pin)
Part number: A121532

AJ15 Classic101

Dimensions

Unit: inch



AJ15 Classic101

Standard Features

- AJ15 hydraulic chair with 3 programmable positions,
- Articulating headrest, Swing up/down aluminium armrest,
- Narrow backrest, upgraded fiber leather, Cast iron chair frame,
- Steel backrest stand, Steel base plate,
- 60 degrees seat rotation, chair safety switch,
- One touchpad, Foot control
- Classic dentist's control head with 3 auto H.P. control,
- Individual water coolant controls,
- Master handpiece air coolant adjustment,
- Asepsis handpiece tubing,
- Master on/off switch, 1 doctor syringe,
- Remote toggles for cup fill and bowl rinse, Wet/Dry foot control,
- Stainless steel tray with non-slip pad, Flex arm air brake switch,
- Porcelain cuspidor bowl with strainer, Cup fill & Bowl rinse toggles.
- Classic 101 Post mounted utility (PMU) with steel side box,
- City water/bottled system, Water outlet and air QD,
- Solids collector,
- 2 HVE, 1SE, 1 syringe on telescoping assistant's control,
- Junction box with air/water filters, regulators, master shut-off valves,
- 5 ft. umbilical
- Post mount LED light with sensor control, 3 level intensity adjustment

Operatory System

Part number	Description	Retail Price
A9151012	AJ15 Classic101 OTP Operatory Package with Cuspidor	\$11,586

Package includes

A091502	AJ15 Hydraulic Chair AJ15 Narrow backrest hydraulic chair with 3 programmable postions and fiber leather	\$6,674
A0711011	Classic 101 delivery system Classic Over the patient (OTP) dental unit with PMU and cuspidor	\$3,904
A0502520	• Classic Post mount Dentist's Control Classic dentist's control head with 3 auto H.P. control, 1 doctor syringe, Wet/Dry foot control, Stainless steel tray with non-slip pad, Rigid arm and Flex arm	\$2,268
A0710111	• Classic101 Post Mounted Utility (PMU) Classic 101 Post mounted utility (PMU) with cuspidor and steel side box, City water/bottled system, Water outlet and air QD, Telescoping assistant's arm with 2 HVE, 1SE, 1 syringe, Junction box with valves,	\$1,638
A0602600	Post mount Whale LED light Post mount touchless sensor Whale LED light with 30" light post	\$1,008
A11202	Chair adapter B Chair adapter for ADS chairs	No charge in ADS package

Options

A121532	HP Fiber optic system with 1 tubing (6 pin)	\$352
A121533	HP Fiber optic system with 2 tubings (6 pin)	\$504
A121712	Touch pad for Classic delivery tray	\$454
A120501	ADS post mount Monitor bracket	\$604
A120401	Built-in scaler	\$604
A120301	Built-in curing light	\$454
A121916	Additional umbilical per foot for Classic 101	\$38/ft
A121714	Amber LED light	\$252 Add
A0502532	Continental dentist's control	\$882 Add
A080103	D3 Doctor stool	\$568
A080224	N4 Assistant stool	\$694
A121534	Electric handpiece motor	\$2332
A8018895	Additional 4th handpiece tubing	\$198
A121963	Bien Air MCX Built In System	Call For Price

Packing Dimensions (L*W*H) Weight

Chair:	47.6*30.5*31.3"	364 lbs.
Upholstery:	50.4*25*8.9"	18 lbs.
Classic Dentist's Control:	30.4*19.1*12"	21 lbs.
PMU:	43.9*21.1*13.7"	33 lbs.
Dental Light:	31.1*18.1*7.1"	17 lbs.



Options



Continental dentist's control
Part number: A0502532



Amber LED light
Part number: A121714



Touch pad for Classic delivery tray
Part number: A121712

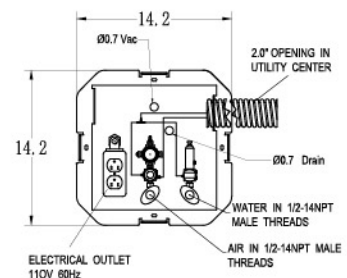
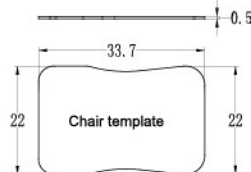
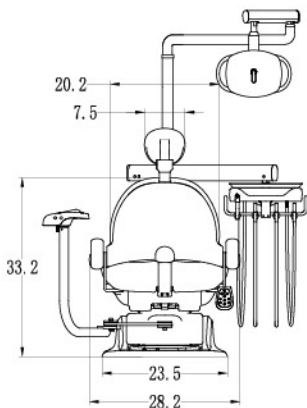
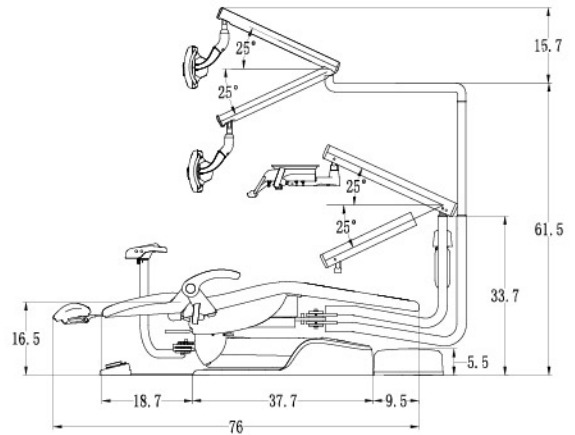
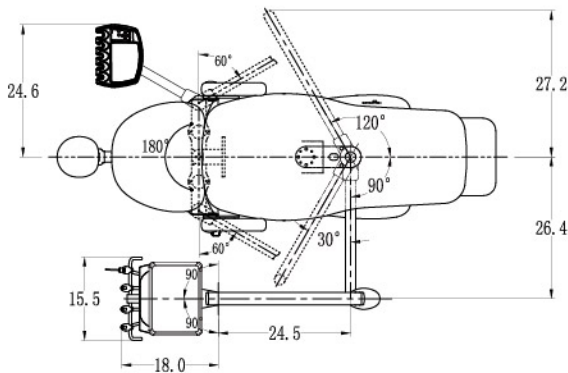


HP Fiber optic system with 1 tubing (6 pin)
Part number: A121532

AJ15 Classic200

Dimensions

Unit: inch



AJ15 Classic200

Standard Features

- AJ15 hydraulic chair with 3 programmable positions,
- Articulating headrest, Swing up/down aluminium armrest,
- Narrow backrest, upgraded fiber leather, Cast iron chair frame,
- Steel backrest stand, Steel base plate,
- 60 degrees seat rotation, chair safety switch,
- One touchpad, Foot control
- Chair mounted swing rear assistant vacuum package,
- Water outlet and air QD on assistant tray,
- Solids collector,
- 2 HVE, 1SE, 1 syringe
- Swing Classic dentist's control head with 3 auto H.P. control,
- Individual water coolant controls,
- Master handpiece air coolant adjustment,
- Asepsis handpiece tubing,
- Master on/off switch, 1 doctor syringe,
- Wet/Dry foot control, Stainless steel tray with non-slip pad,
- City/bottled water system, 5 ft umbilical,
- Junction box with air/water filters, regulators, master shut-off valves,
- Post mount LED light with sensor control, 3 level intensity adjustment

Operatory System

Part number	Description	Retail Price
A9152002	AJ15 Classic200 Left/Right Swing Operatory Package	\$11,964

Package includes

A091502	AJ15 Hydraulic Chair Electricmechanical patient chair with 3 programmable postions and fiber leather	\$6,674
A0712003	Classic200 delivery system Classic 200 Left/ Right Swing Delivery System with 3 auto HP control, bottled water system, Swing assistant vac pac with 2HVE, 1SE and 1 syringe.	\$4,030
A0502521	• Classic Swing mount dentist's control Swing mount 3HP auto dentist's control, bottled water system, utility center and valves	\$2,896
A0332303	• Classic Swing mount assistant vacuum package Chair mounted swing rear assistant vacuum package, Water outlet and air QD on assitant tray, 2 HVE, 1SE, 1 syringe	\$1,134
A0603600	Swing mount Whale LED light Swing mount touchless sensor Whale LED Dental Light with 24" light post and swing compass arm	\$1,260
A11204	Chair Adapter D No charge in ADS package	

Options

Options		Packing Dimensions (L*W*H)	Weight
A121532	HP Fiber optic system with 1 tubing (6 pin) \$352	Chair: 47.6*30.5*31.3"	364 lbs.
A121533	HP Fiber optic system with 2 tubings (6 pin) \$504	Upholstery: 50.4*25*8.9"	18 lbs.
A121712	Touch pad for Classic delivery tray \$454	Classic Dentist's Control: 30.4*19.1*12"	21 lbs.
A120501	ADS post mount Monitor bracket \$604	Swing mount assistant vacuum package: 33.9*30.8*8"	44 lbs.
A120401	Built-in scaler \$604	Classic Junction box: 16*15.7*6.8"	6 lbs.
A120301	Built-in curing light \$454	Dental Light: 31.1*18.1*7.1"	17 lbs.
A121902	Additional umbilical per foot for Classic200/Beyond400 \$38/ft		
A121714	Amber LED light..... \$252 Add		
A0502532	Continental dentist's control \$882 Add		
A080103	D3 Doctor stool \$568		
A080224	N4 Assistant stool \$694		
A121534	Electric handpiece motor \$2332		
8018895	Additional 4th handpiece tubing \$198		
A121963	Bien Air MCX Built In System Call For Price		



AJ15 Classic201

Options



Continental dentist's control
Part number: A0502532



Amber LED light
Part number: A121714



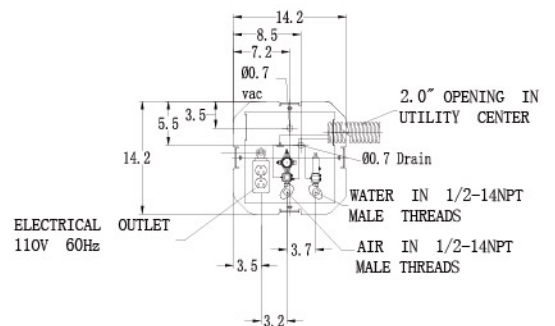
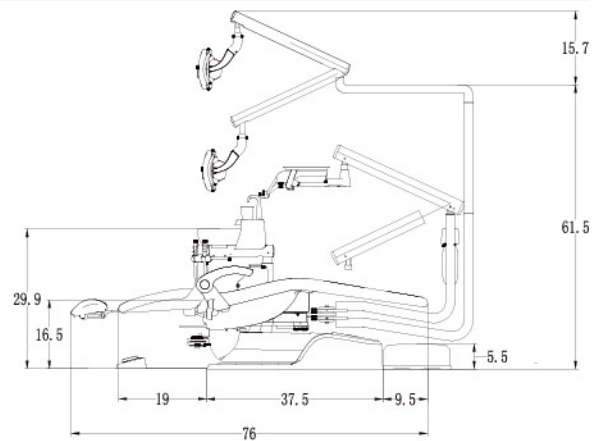
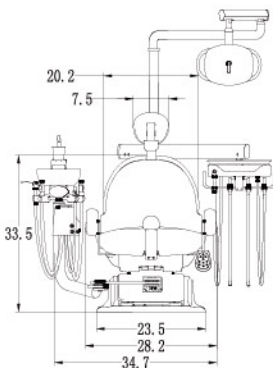
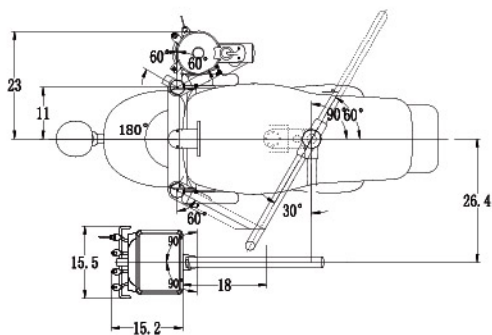
Touch pad for Classic delivery tray
Part number: A121712



HP Fiber optic system with 1 tubing (6 pin)
Part number: A121532

Dimensions

Unit: inch



AJ15 Classic201

Standard Features

- AJ15 hydraulic chair with 3 programmable positions,
- Articulating headrest, Swing up/down aluminium armrest,
- Narrow backrest, upgraded fiber leather, Cast iron chair frame,
- Steel backrest stand, Steel base plate,
- 60 degrees seat rotation, chair safety switch,
- One touchpad attached on armrest, Foot control
- Swing mount Cupspidor and assistant vacuum package ,
- Cuspidor and assistant vacuum package,
- Water outlet and air QD on assistant tray,
- Solids collector, 2 HVE, 1SE, 1 syringe
- Post mount LED light with sensor control, 3 level intensity adjustment
- Swing Classic dentist's control head with 3 auto H.P. control,
- Individual water coolant controls,
- Master handpiece air coolant adjustment,
- Asepsis handpiece tubing,
- Master on/off switch, 1 doctor syringe, Wet/Dry foot control,
- Stainless steel tray with non-slip pad, City/bottled water system,
- 5 ft umbilical, Junction box with air/water filters, regulators, master shut-off valves,

Operatory System

Part number	Description	Retail Price
A9152012	AJ15 Classic201 Left/Right Swing Operatory Package with cuspidor	\$12,972

Package includes

A091502	AJ15 Chair	\$6,674
A0712011	Classic201 delivery system Classic 201 Left/Right Swing compact Delivery System with 3 auto HP control, bottled water system, Swing mount side box, cuspidor and assistant vac pac with 2HVE, 1SE and 1 syringe.	\$5,038
A0502521	• Classic Swing mount dentist's control Swing mount 3HP auto dentist's control, bottled water system, utility center and valves	\$2,896
A0402400	• Classic/Beyond Swing mount cuspidor and assistant vacuum package 201/401 Chair mounted swing rear cuspidor and assistant vacuum package, 2 HVE, 1 SE, 1 syringe	\$2,142
A0603600	Swing mount Whale LED light Swing mount touchless sensor Whale LED Dental Light with 24" light post and swing compass arm	\$1,260
A11206	Chair adapter E	No charge in ADS package

Options

A121532	HP Fiber optic system with 1 tubing (6 pin)	\$352
A121533	HP Fiber optic system with 2 tubings (6 pin)	\$504
A121712	Touch pad for Classic delivery tray	\$454
A120501	ADS post mount Monitor bracket	\$604
A120401	Built-in scaler	\$604
A120301	Built-in curing light	\$454
A121918	Additional umbilical per foot for Classic201/Beyond401 ...	\$38/ft
A121714	Amber LED light.....	\$252 Add
A0502532	Continental dentist's control	\$882 Add
A080103	D3 Doctor stool	\$568
A080224	N4 Assistant stool	\$694
A121534	Electric handpiece motor	\$2332
8018895	Additional 4th handpiece tubing	\$198
A121963	Bien Air MCX Built In System	Call For Price

Packing Dimensions (L*W*H) Weight

Chair:	47.6*30.5*31.3"	364 lbs.
Upholstery:	50.4*25*8.9"	18 lbs.
Classic Dentist's Control:	30.4*19.1*12"	21 lbs.
Swing mount assistant vacuum package:	33.9*30.8*8"	44 lbs.
Classic Junction box:	16*15.7*6.8"	6 lbs.
PMU:	43.9*21.1*13.7"	33 lbs.
Dental Light:	31.1*18.1*7.1"	17 lbs.



AJ16 Operatory Packages

AJ16 Beyond 400



AJ16 Classic 100



AJ16 Beyond 300 Continetal



AJ16 Beyond 400 Continetal



AJ16 Classic 200





Options



Continental dentist's control
Part number: A0502532



Amber LED light
Part number: A121714



Touch pad for Classic delivery tray
Part number: A121712

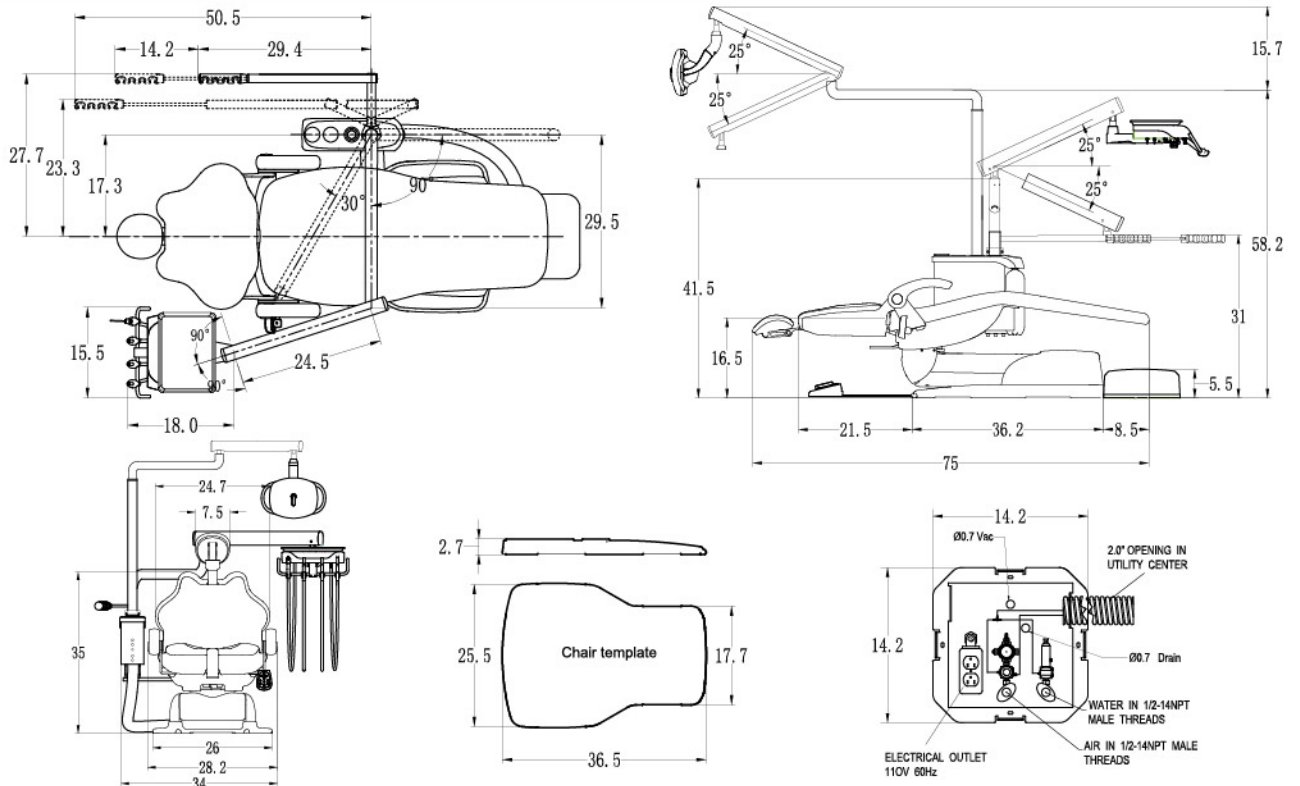


HP Fiber optic system with 1 tubing (6 pin)
Part number: A121532

AJ16 Classic 100

Dimensions

Unit: inch



AJ16 Classic100

Standard Features

- AJ16 Luxury hydraulic chair, with 3 programmable positions,
- Articulating headrest, Swing up/down aluminium armrest,
- Wide backrest, upgraded fiber leather, Cast iron chair frame,
- Cast aluminium backrest stand, Cast aluminium base,
- 60 degrees seat rotation, chair safety switch,
- One touchpad, Foot control
- Classic dentist's control head with 3 auto H.P. control,
- Individual water coolant controls,
- Master handpiece air coolant adjustment,
- Asepsis handpiece tubing,
- Master on/off switch, 1 doctor syringe, Wet/Dry foot control,
- Stainless steel tray with non-slip pad, Flex arm air brake switch
- Classic 100 Post mounted utility (PMU) with steel side box,
- City water/bottled system, Water outlet and air QD,
- Solids collector,
- 2 HVE, 1SE, 1 syringe on telescoping assistant's control,
- Junction box with air/water filters, regulators, master shut-off valves,
- 5 ft. umbilical
- Post mount LED light with sensor control, 3 level intensity adjustment

Operator System

Part number	Description	Retail Price
A9161002	AJ16 Classic100 OTP Operator Package without cuspidor	\$11,838

Package includes

A091602	AJ16 Hydraulic Chair Narrow backrest hydraulic chair with 3 programmable positions and fiber leather	\$7,556
A0711001	Classic 100 delivery system Classic Over the patient (OTP) dental unit with PMU	\$3,274
A0502520	• Classic Post mount Dentist's Control Classic dentist's control head with 3 auto H.P. control, 1 doctor syringe, Wet/Dry foot control, Stainless steel tray with non-slip pad, Rigid arm and Flex arm	\$2,268
A0710010	• Classic100 Post Mounted Utility (PMU) Classic 100 Post mounted utility (PMU) with steel side box, City water/ bottled system, Water outlet and air QD, Telescoping assistant's arm with 2 HVE, 1SE, 1 syringe, Junction box with valves	\$1,008
A0602600	Post mount Whale LED light Post mount touchless sensor Whale LED light with 30" light post	\$1,008
A11202	Chair adapter B Chair adapter for ADS chairs	No charge in ADS package

Options

Options		Packing Dimensions (L*W*H)	Weight
A121532	HP Fiber optic system with 1 tubing (6 pin)	Chair: 47.6*30.5*31.3"	364 lbs.
A121533	HP Fiber optic system with 2 tubings (6 pin)	Upholstery: 50.4*25*8.9"	18 lbs.
A121712	Touch pad for Classic delivery tray	Classic Dentist's Control: 30.4*19.1*12"	22 lbs.
A120501	ADS Post mount Monitor bracket	PMU: 43.9*21.1*13.7"	33 lbs.
A120401	Built-in scaler	Dental Light: 31.1*18.1*7.1"	17 lbs.
A120301	Built-in curing light		
A121915	Additional umbilical per foot for Classic 100		
A121714	Amber LED light		
A0502532	Continental dentist's control		
A080103	D3 Doctor stool		
A080224	N4 Assistant stool		
A121534	Electric handpiece motor		
8018895	Additional 4th handpiece tubing		
A121963	Bien Air MCX Built In System		Call For Price



Options



Continental dentist's control
Part number: A0502532



Amber LED light
Part number: A121714



Touch pad for Classic delivery tray
Part number: A121712

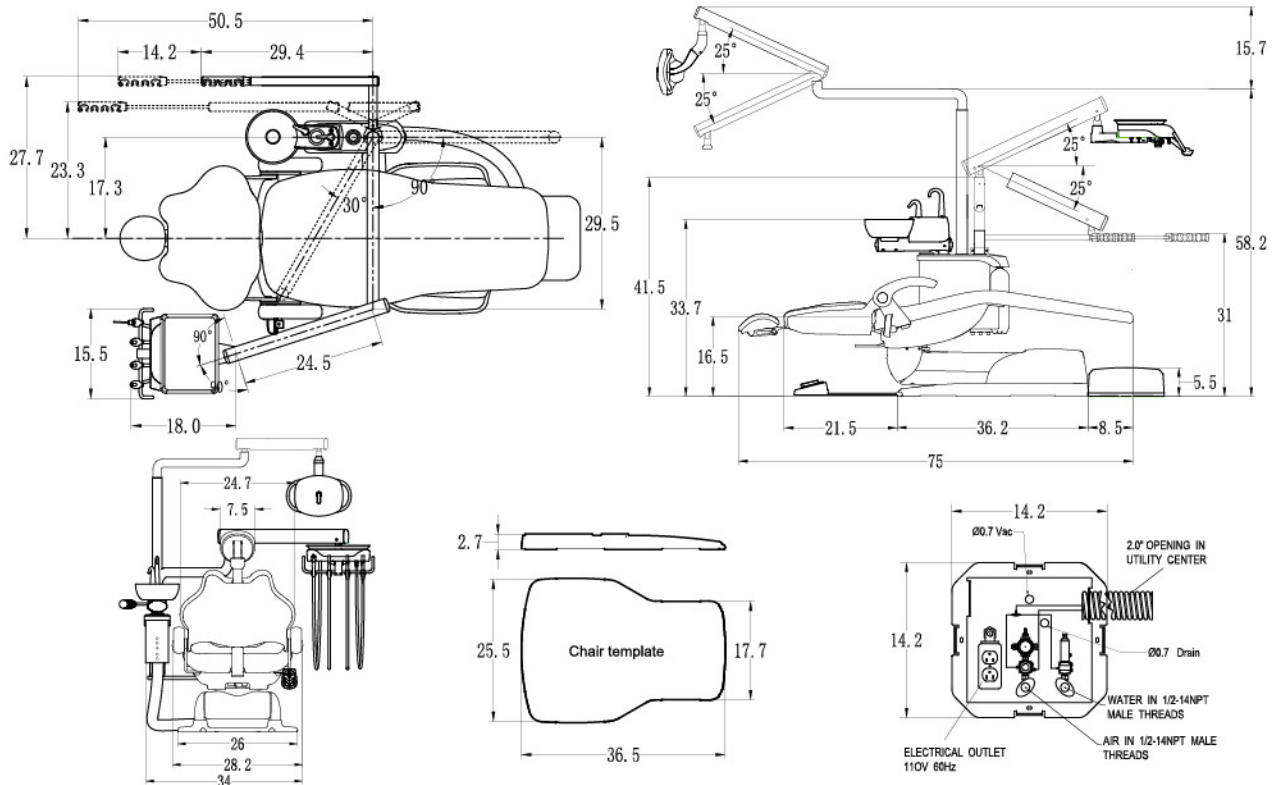


HP Fiber optic system with 1 tubing (6 pin)
Part number: A121532

AJ16 Classic 101

Dimensions

Unit: inch



AJ16 Classic101

Standard Features

- AJ16 Luxury hydraulic chair, with 3 programmable positions,
- Articulating headrest, Swing up/down aluminium armrest,
- Wide backrest, upgraded fiber leather, Cast iron chair frame,
- Cast aluminium backrest stand, Cast aluminium base,
- 60 degrees seat rotation, chair safety switch,
- One touchpad, Foot control
- Classic dentist's control head with 3 auto H.P. control,
- Individual water coolant controls,
- Master handpiece air coolant adjustment,
- Asepsis handpiece tubing,
- Master on/off switch, 1 doctor syringe,
- Remote toggles for cup fill and bowl rinse, Wet/Dry foot control,
- Stainless steel tray with non-slip pad, Flex arm air brake switch,
- Porcelain cuspidor bowl with strainer, Cup fill & Bowl rinse toggles.
- Classic 101 Post mounted utility (PMU) with steel side box,
- City water/bottled system, Water outlet and air QD,
- Solids collector,
- 2 HVE, 1SE, 1 syringe on telescoping assistant's control,
- Junction box with air/water filters, regulators, master shut-off valves,
- 5 ft. umbilical
- Post mount LED light with sensor control, 3 level intensity adjustment

Operatory System

Part number	Description	Retail Price
A9161012	AJ16 Classic101 OTP Operatory Package with Cuspidor	\$12,468

Package includes

A091602	AJ16 Hydraulic Chair Luxury hydraulic chair with cast aluminium backrest stan and chair base, 3 programmable positions, wide backrest, upgraded fiber leather	\$7,556
A0711011	Classic 101 delivery system Classic Over the patient (OTP) dental unit with PMU and cuspidor	\$3,904
A0502520	• Classic Post mount Dentist's Control Classic dentist's control head with 3 auto H.P. control, 1 doctor syringe, Wet/Dry foot control, Stainless steel tray with non-slip pad, Rigid arm and Flex arm	\$2,268
A0710111	• Classic 101 Post Mounted Utility (PMU) Classic 101 Post mounted utility (PMU) with cuspidor and steel side box, City water/ bottled system, Water outlet and air QD, Telescoping assistant's arm with 2 HVE, 1SE, 1 syringe, Junction box with valves,	\$1,638
A0602600	Post mount Whale LED light Post mount touchless sensor Whale LED light with 30" light post	\$1,008
A11202	Chair adapter B Chair adapter for ADS chairs	No charge in ADS package

Options

		Packing Dimensions (L*W*H)	Weight
A121532	HP Fiber optic system with 1 tubing (6 pin)		\$352
A121533	HP Fiber optic system with 2 tubings (6 pin)		\$504
A121712	Touch pad for Classic delivery tray		\$454
A120501	ADS Post mount Monitor bracket		\$604
A120401	Built-in scaler		\$604
A120301	Built-in curing light		\$454
A121916	Additional umbilical per foot for Classic 101		\$38/ft
A121714	Amber LED light.....		\$252 Add
A0502532	Continental dentist's control		\$882 Add
A080103	D3 Doctor stool		\$568
A080224	N4 Assistant stool		\$694
A121534	Electric handpiece motor		\$2332
8018895	Additional 4th handpiece tubing		\$198
A121963	Bien Air MCX Built In System		Call For Price
		Chair:	47.6*30.5*31.3"
		Upholstery:	50.4*25*8.9"
		Classic Dentist's Control:	30.4*19.1*12"
		PMU:	43.9*21.1*13.7"
		Dental Light:	31.1*18.1*7.1"
			364 lbs.
			18 lbs.
			22 lbs.
			33 lbs.
			17 lbs.



Options



Continental dentist's control
Part number: A0502532



Amber LED light
Part number: A121714



Touch pad for Classic delivery tray
Part number: A121712

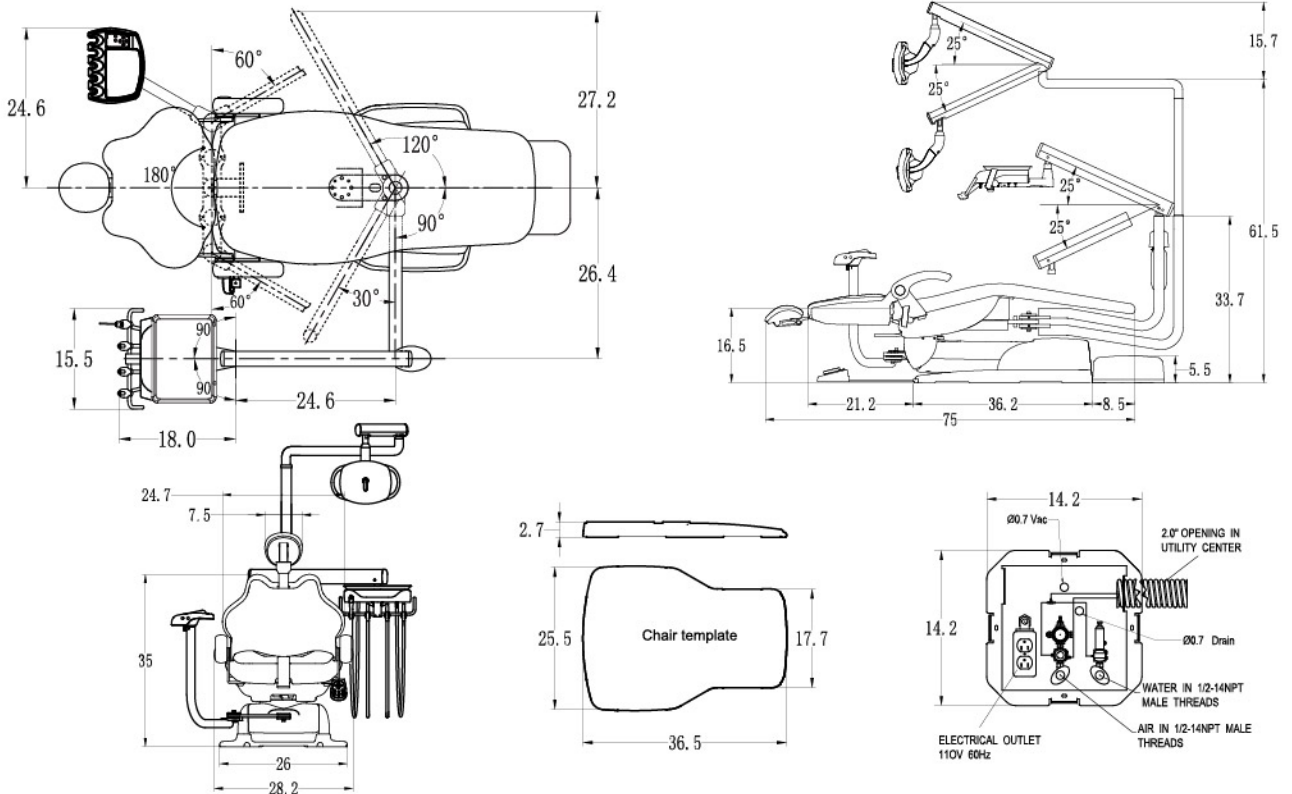


HP Fiber optic system with 1 tubing (6 pin)
Part number: A121532

AJ16 Classic200

Dimensions

Unit: inch



AJ16 Classic200

Standard Features

- AJ16 Luxury hydraulic chair, with 3 programmable positions,
- Articulating headrest, Swing up/down aluminium armrest,
- Wide backrest, upgraded fiber leather, Cast iron chair frame,
- Cast aluminium backrest stand, Cast aluminium base,
- 60 degrees seat rotation, chair safety switch,
- One touchpad, Foot control
- Chair mounted swing rear assistant vacuum package,
- Water outlet and air QD on assistant tray,
- Solids collector,
- 2 HVE, 1SE, 1 syringe
- Swing Classic dentist's control head with 3 auto H.P. control,
- Individual water coolant controls,
- Master handpiece air coolant adjustment,
- Asepsis handpiece tubing,
- Master on/off switch, 1 doctor syringe,
- Wet/Dry foot control, Stainless steel tray with non-slip pad,
- City/bottled water system, 5 ft umbilical,
- Junction box with air/water filters, regulators, master shut-off valves,
- Post mount LED light with sensor control, 3 level intensity adjustment

Operatory System

Part number	Description	Retail Price
A9162002	AJ16 Classic200 Left/Right Swing Operatory Package	\$12,846

Package includes

A091602	AJ16 Hydraulic Chair AJ16 Luxury hydraulic chair with cast aluminium backrest stan and chair base, 3 programmable positions, wide backrest, upgraded fiber leather	\$7,556
A0712003	Classic200 delivery system Classic 200 Left/Right Swing Delivery System with 3 auto HP control, bottled water system, Swing assistant vac pac with 2HVE, 1SE and 1 syringe.	\$4,030
A0502521	• Classic Swing mount dentist's control Classic Swing dentist's control head with 3 auto H.P. control, 1 doctor syringe, Wet/Dry foot control, Stainless steel tray with non-slip pad, City/bottled water system, Junction box with valves	\$2,896
A0332303	• Classic Swing mount assistant vacumm package Chair mounted swing rear assistant vacumm package, Water outlet and air QD on assitant tray, 2 HVE, 1SE, 1 syringe	\$1,134
A0603600	Swing mount Whale LED light Swing mount touchless sensor Whale LED Dental Light with 24" light post and swing compass arm	\$1,260
A11204	Chair adapter D No charge in ADS package	

Options

Options	Packing Dimensions (L*W*H)	Weight
A121532 HP Fiber optic system with 1 tubing (6 pin) \$352	Chair: 47.6*30.5*31.3"	364 lbs.
A121533 HP Fiber optic system with 2 tubings (6 pin) \$504	Upholstery: 50.4*25*8.9"	18 lbs.
A121712 Touch pad for Classic delivery tray \$454	Classic Dentist's Control: 30.4*19.1*12"	22 lbs.
A120501 ADS post mount Monitor bracket \$604	Swing mount assistant vacuum package: 33.9*30.8*8"	44 lbs.
A120401 Built-in scaler \$604	Classic Junction box: 16*15.7*6.8"	6 lbs.
A120301 Built-in curing light \$454	Dental Light: 31.1*18.1*7.1"	17 lbs.
A121902 Additional umbilical per foot \$38/ft for Classic 200/Beyond 400		
A121714 Amber LED light \$252 Add		
A0502532 Continental dentist's control \$882 Add		
A080103 D3 Doctor stool \$568		
A080224 N4 Assistant stool \$694		
A121534 Electric handpiece motor \$2332		
8018895 Additional 4th handpiece tubing \$198		
A121963 Bien Air MCX Built In System Call For Price		



AJ16 Classic201

Options



Continental dentist's control
Part number: A0502532



Amber LED light
Part number: A121714



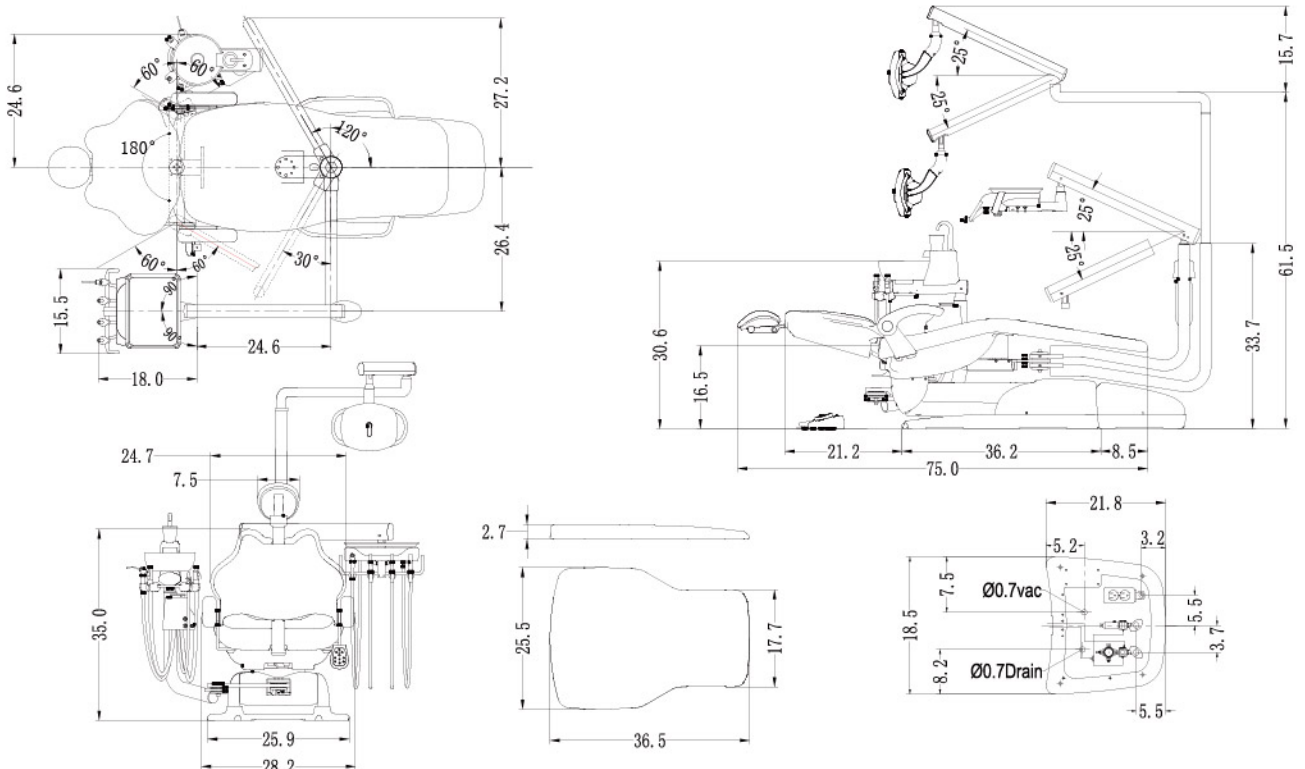
Touch pad for Classic delivery tray
Part number: A121712



HP Fiber optic system with 1 tubing (6 pin)
Part number: A121532

Dimensions

Unit: inch



AJ16 Classic201

Standard Features

- AJ16 Luxury hydraulic chair, with 3 programmable positions,
- Articulating headrest, Swing up/down aluminium armrest,
- Wide backrest, upgraded fiber leather, Cast iron chair frame,
- Cast aluminium backrest stand, Cast aluminium base,
- 60 degrees seat rotation, chair safety switch,
- One touchpad, Foot control
- Swing Classic dentist's control head with 3 auto H.P. control,
- Individual water coolant controls,
- Master handpiece air coolant adjustment,
- Asepsis handpiece tubing,
- Master on/off switch, 1 doctor syringe,
- Wet/Dry foot control, Stainless steel tray with non-slip pad,
- City/bottled water system, 5 ft umbilical,
- Junction box with air/water filters, regulators, master shut-off valves,
- Swing mount Cupspidor and assistant vacuum package ,
- Water outlet and air QD on assistant tray,
- Solids collector,
- 2 HVE, 1SE, 1 syringe
- Post mount LED light with sensor control, 3 level intensity adjustment

Operatory System

Part number	Description	Retail Price
A9162012	AJ16 Classic201 Left/Right Swing Operatory Package with cuspidor	\$13,852

Package includes

A091602	AJ16 Hydraulic Chair Luxury hydraulic chair with cast aluminium backrest stan and chair base, 3 programmable positions, wide backrest, upgraded fiber leather	\$7,556
A0712011	Classic201 delivery system Classic 201 Left/Right Swing compact Delivery System with 3 auto HP control, bottled water system, Swing mount side box, cuspidor and assistant vac pac with 2HVE, 1SE and 1 syringe.	\$5,038
A0502521	• Classic Swing mount dentist's control Swing mount 3HP auto dentist's control, bottled water system, utility center and valves	\$2,896
A0402400	• Classic/Beyond Swing mount cuspidor and assistant vacuum package 201/401 Chair mounted swing rear cuspidor and assistant vacuum package, 2 HVE,1 SE,1 syringe	\$2,142
A0603600	Swing mount whale LED light Swing mount touchless sensor Whale LED Dental Light with 24" light post and swing compass arm	\$1,260
A11206	Chair adapter E No charge in ADS package	

Options

A121532	HP Fiber optic system with 1 tubing (6 pin)	\$352
A121533	HP Fiber optic system with 2 tubings (6 pin)	\$504
A121712	Touch pad for Classic delivery tray	\$454
A120501	ADS post mount Monitor bracket	\$604
A120401	Built-in scaler	\$604
A120301	Built-in curing light	\$454
A121918	Additional umbilical per foot for Classic 201/Beyond 401	\$38/ft
A121714	Amber LED light	\$252Add
A0502532	Continental dentist's control	\$882 Add
A080103	D3 Doctor stool	\$568
A080224	N4 Assistant stool	\$694
A121534	Electric handpiece motor	\$2332
8018895	Additional 4th handpiece tubing	\$198
A121963	Bien Air MCX Built In System	Call For Price

Packing Dimensions (L*W*H) Weight

Chair:	47.6*30.5*31.3"	364 lbs.
Upholstery:	50.4*25*8.9"	18 lbs.
Classic Dentist's Control:	30.4*19.1*12"	22 lbs.
Swing mount assistant vacuum package:	33.9*30.8*8"	44 lbs.
Classic Junction box:	16*15.7*6.8"	6 lbs.
PMU:	43.9*21.1*13.7"	33 lbs.
Dental Light:	31.1*18.1*7.1"	17 lbs.



Options



Continental dentist's control
Part number: A0502532



Amber LED light
Part number: A121714

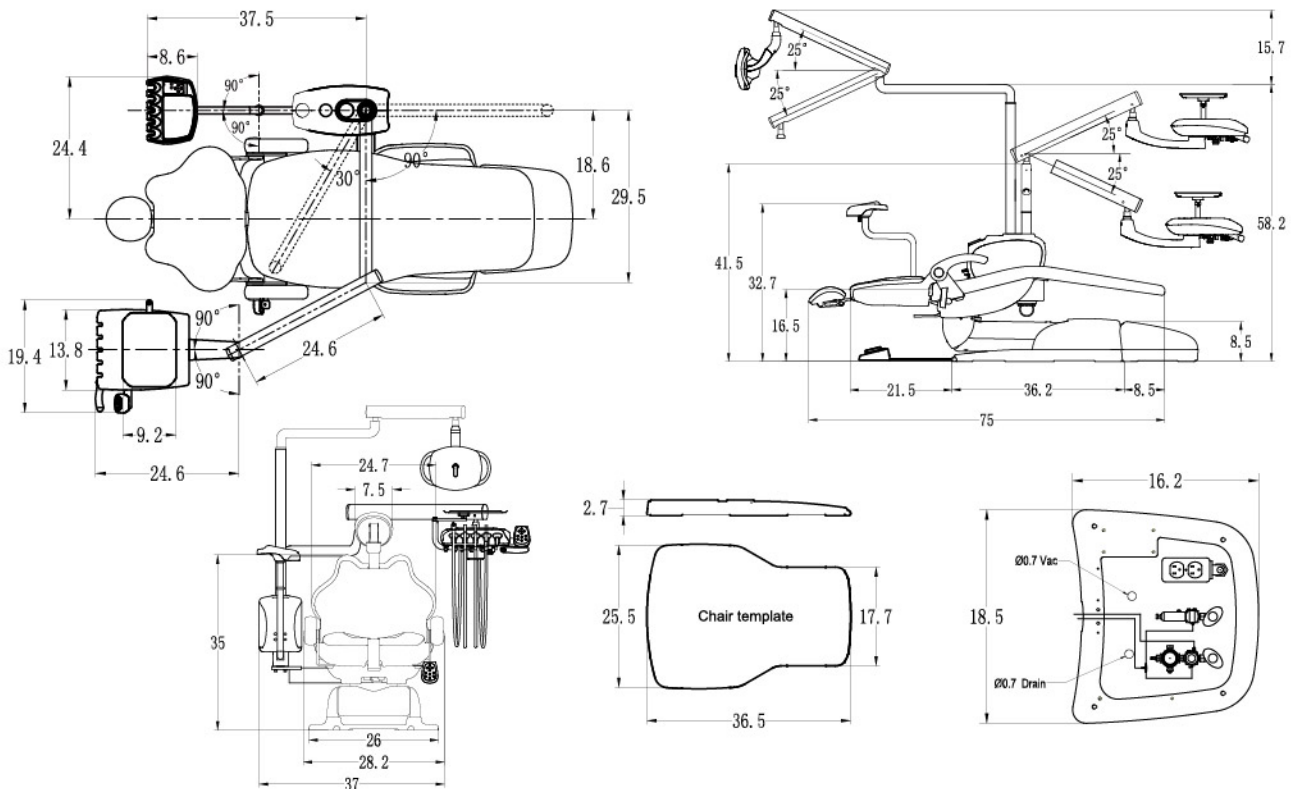


HP Fiber optic system
Part number: A121532

AJ16 Beyond300

Dimensions

Unit: inch



AJ16 Beyond300

Standard Features

- AJ16 Luxury hydraulic chair, with 3 programmable positions,
- Articulating headrest, Swing up/down aluminium armrest,
- Wide backrest, upgraded fiber leather, Cast iron chair frame,
- Cast aluminium backrest stand, Cast aluminium base,
- 60 degrees seat rotation, chair safety switch,
- One touchpad, Foot control
- Beyond luxury dentist's control head, Standard touchpad,
- Cast aluminium delivery head base, double pivot delivery head, with 3 auto H.P. control,
- Individual water coolant controls,
- Master handpiece air coolant adjustment,
- Asepsis handpiece tubing,
- Master on/off switch, 1 doctor syringe, Wet/Dry foot control,
- Stainless steel tray with non-slip pad, Flex arm air brake switch
- Beyond 300 Post mounted utility (PMU) with silver side box,
- City water/bottled system, Water outlet and air QD,
- Swing assistant tray with touchpad,
- Solids collector,
- 2 HVE, 1SE, 1 syringe, Aluminium base Junction box with air/water filters, regulators, master shut-off valves,
- 6' internal umbilical
- Post mount LED light with sensor control, 3 level intensity adjustment

Operator System

Part number	Description	Retail Price
A9163002	AJ16 Beyond300 OTP Operator Package without cuspidor	\$12,594

Package includes

A091602	AJ16 Hydraulic Chair AJ16 Luxury hydraulic chair with cast aluminium backrest stand and chair base, 3 programmable positions, wide backrest, upgraded fiber leather	\$7,556
A0723002	Beyond300 delivery system	\$4,030
A0502550	• Beyond Post mount Dentist's Control Beyond luxury dentist's control head, Cast aluminium delivery head base, double pivot delivery head, with 3 auto H.P. control, 1 doctor syringe, Wet/Dry foot control, Stainless steel tray, Rigid arm and Flex arm	\$2,896
A0730020	• Beyond300 Post Mounted Utility (PMU) Beyond300 Post mounted utility (PMU) with silver side box, City water/ bottled system, Swing assistant tray with touchpad, 2 HVE, 1SE, 1 syringe, Aluminium base Junction box with valves	\$1,134
A0602600	Post mount Whale LED light Post mount touchless sensor Whale LED light with 30" light post	\$1,008
A11203	Chair adapter C	No charge in ADS package

Options

Options		Packing Dimensions (L*W*H)	Weight
A121532	HP Fiber optic system with 1 tubing (6 pin) \$352	Chair: 47.6*30.5*31.3"	364 lbs.
A121533	HP Fiber optic system with 2 tubings (6 pin) \$504	Upholstery: 50.4*25*8.9"	18 lbs.
A120501	ADS post mount Monitor bracket \$604	Beyond Dentist's Control: 30.8*23.1*14.1"	28 lbs.
A120401	Built-in scaler \$604	PMU: 37.4*25.7*16.1"	35 lbs.
A120301	Built-in curing light \$454	Dental Light: 31.1*18.1*7.1"	17 lbs.
A121901	Additional umbilical per foot \$38/ft for Beyond 300/Beyond 301		
A121714	Amber LED light \$252 Add		
A0502532	Continental dentist's control \$252 Add		
A080103	D3 Doctor stool \$568		
A080224	N4 Assistant stool \$694		
A121534	Electric handpiece motor \$2332		
8018895	Additional 4th handpiece tubing \$198		
A121963	Bien Air MCX Built In System Call For Price		



Options



Amber LED light
Part number:A121714

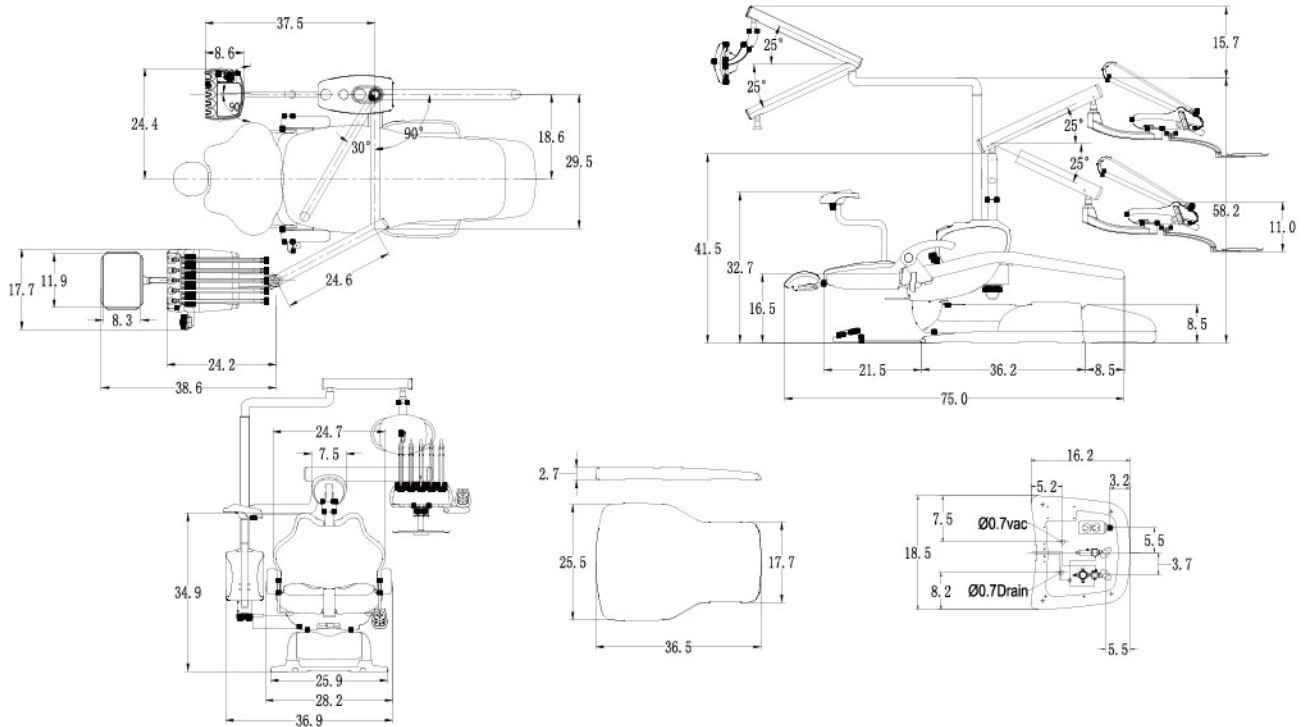


HP Fiber optic system
Part number:A121532

AJ16 Beyond 300 Continental

Dimensions

Unit: inch



AJ 16 Beyond 300 Continental

Standard Features

- AJ16 Luxury hydraulic chair, with 3 programmable positions,
- Articulating headrest, Swing up/down aluminium armrest,
- Wide backrest, upgraded fiber leather, Cast iron chair frame,
- Cast aluminium backrest stand, Cast aluminium base,
- 60 degrees seat rotation, chair safety switch,
- One touchpad, Foot control
- Beyond 300 Post mounted utility (PMU) with silver side box,
- City water/bottled system, Water outlet and air QD,
- Swing assistant tray with touchpad,
- Solids collector,
- 2 HVE, 1SE, 1 syringe, Aluminium base Junction box with
- air/water filters, regulators, master shut-off valves, 6' internal umbilical
- Post mount LED light with sensor control, 3 level intensity adjustment
- Beyond luxury dentist's control head, Standard touchpad,
- Cast aluminium delivery head base, double pivot delivery head, with 3 auto H.P. control,
- Individual water coolant controls,
- Master handpiece air coolant adjustment,
- Asepsis handpiece tubing,
- Master on/off switch, 1 doctor syringe, Wet/Dry foot control,
- Stainless steel tray with non-slip pad, Flex arm air brake switch

Operatory System

Part number	Description	Retail Price
A9163003	AJ 16 Beyond 300 Continental	\$12,846

Package includes

A091602	AJ16 Hydraulic Chair Luxury hydraulic chair with cast aluminium backrest stan and chair base, 3 programmable positions, wide backrest, upgraded fiber leather	\$7,556
A0723003	Beyond300 delivery system Continental	\$4,282
A0502530	• Continental post mounted dentist's control	\$3,148
A0730020	• Beyond300 Post Mounted Utility (PMU) Beyond300 Post mounted utility (PMU) with silver side box, City water/ bottled system, Swing assitant tray with touchpad, 2 HVE, 1SE, 1 syringe, Alumium base Junction box with valves	\$1,134
A0602600	Post mount Whale LED light Post mount touchless sensor Whale LED light with 30" light post	\$1,008
A11204	Chair adapter C	No charge in ADS package

Options

A121532	HP Fiber optic system with 1 tubing (6 pin)	\$352
A121533	HP Fiber optic system with 2 tubings (6 pin)	\$504
A120501	ADS post mount Monitor bracket	\$604
A120401	Built-in scaler	\$604
A120301	Built-in curing light	\$454
A121901	Additional umbilical per foot for Beyond 300/Beyond 301	\$38/ft
A121714	Amber LED light	\$252 Add
A080103	D3 Doctor stool	\$568
A080224	N4 Assistant stool	\$694
A121534	Electric handpiece motor	\$2332
8018895	Additional 4th handpiece tubing	\$198
A121963	Bien Air MCX Built In System	Call For Price

Packing Dimensions (L*W*H) Weight

Chair:	47.6*30.5*31.3"	364 lbs.
Upholstery:	50.4*25*8.9"	18 lbs.
Beyond Dentist's Control:	30.8*23.1*14.1"	28 lbs.
PMU:	37.4*25.7*16.1"	35 lbs.
Dental Light:	31.1*18.1*7.1"	17 lbs.



Options



Continental dentist's control
Part number: A0502532



Amber LED light
Part number: A121714

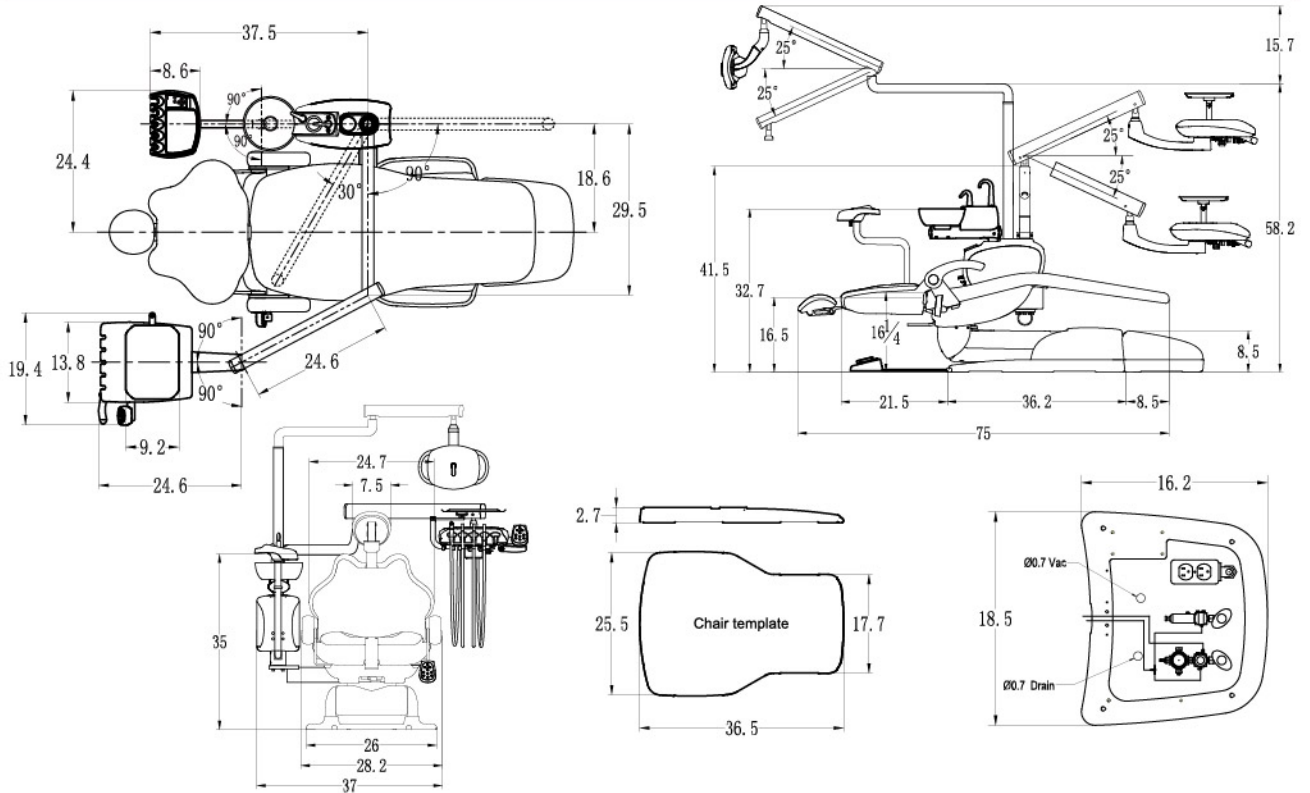


HP Fiber optic system
Part number: A121532

AJ16 Beyond301

Dimensions

Unit: inch



AJ16 Beyond301

Standard Features

- AJ16 Luxury hydraulic chair, with 3 programmable positions,
- Articulating headrest, Swing up/down aluminium armrest,
- Wide backrest, upgraded fiber leather, Cast iron chair frame,
- Cast aluminium backrest stand, Cast aluminium base,
- 60 degrees seat rotation, chair safety switch,
- One touchpad, Foot control
- Beyond luxury dentist's control head, Standard touchpad,
- Cast aluminium delivery head base, double pivot delivery head, with 3 auto H.P. control,
- Individual water coolant controls,
- Master handpiece air coolant adjustment,
- Asepsis handpiece tubing,
- Master on/off switch, 1 doctor syringe, Wet/Dry foot control,
- Stainless steel tray with non-slip pad, Flex arm air brake switch,
- Porcelain cuspidor bowl with strainer, Cup fill & Bowl rinse toggles.
- Beyond 301 Post mounted utility (PMU) with steel side box,
- City water/bottled system, Water outlet and air QD,
- Solids collector,
- 2 HVE, 1SE, 1 syringe on telescoping assistant's control,
- Junction box with air/water filters, regulators, master shut-off valves,
- 5 ft. umbilical
- Post mount LED light with sensor control, 3 level intensity adjustment

Operatory System

Part number	Description	Retail Price
A9163012	AJ16 Beyond301 OTP Operatory Package with cuspidor	\$13,222

Package includes

A091602	AJ16 Hydraulic Chair Luxury hydraulic chair with cast aluminium backrest stan and chair base, 3 programmable positions, wide backrest, upgraded fiber leather	\$7,556
A0723012	Beyond301 delivery system	\$4,660
A0502550	• Beyond Post mount Dentist's Control Beyond luxury dentist's control head, Cast aluminium delivery head base, double pivot delivery head, with 3 auto H.P. control, 1 doctor syringe, Wet/Dry foot control, Stainless steel tray, Rigid arm and Flex arm	\$2,896
A0730121	• Beyond 301 Post Mounted Utility (PMU) Beyond301 Post mounted utility (PMU) with cuspidor and silver side box, City water/ bottled system, Swing assitant tray with touchpad, 2 HVE, 1SE, 1 syringe, Alumium base Junction box with valves	\$1,764
A0602600	Post mount Whale LED light Post mount touchless sensor Whale LED light with 30" light post	\$1,008
A11203	Chair adapter C	No charge in ADS package

Options

A121532	HP Fiber optic system with 1 tubing (6 pin)	\$352
A121533	HP Fiber optic system with 2 tubings (6 pin)	\$504
A120501	ADS post mount Monitor bracket	\$604
A120401	Built-in scaler	\$604
A120301	Built-in curing light	\$454
A121901	Additional umbilical per foot for Beyond 300/Beyond 301	\$38/ft
A121714	Amber LED light	\$252 Add
A0502532	Continental dentist's control	\$252 Add
A080103	D3 Doctor stool	\$568
A080224	N4 Assistant stool	\$694
A121534	Electric handpiece motor	\$2332
8018895	Additional 4th handpiece tubing	\$198
A121963	Bien Air MCX Built In System	Call For Price

Packing Dimensions (L*W*H) Weight

Chair:	47.6*30.5*31.3"	364 lbs.
Upholstery:	50.4*25*8.9"	18 lbs.
Beyond Dentist's Control:	30.8*23.1*14.1"	28 lbs.
PMU:	37.4*25.7*16.1"	35 lbs.
Dental Light:	31.1*18.1*7.1"	17 lbs.



Options



Continental dentist's control
Part number: A0502532



Amber LED light
Part number: A121714

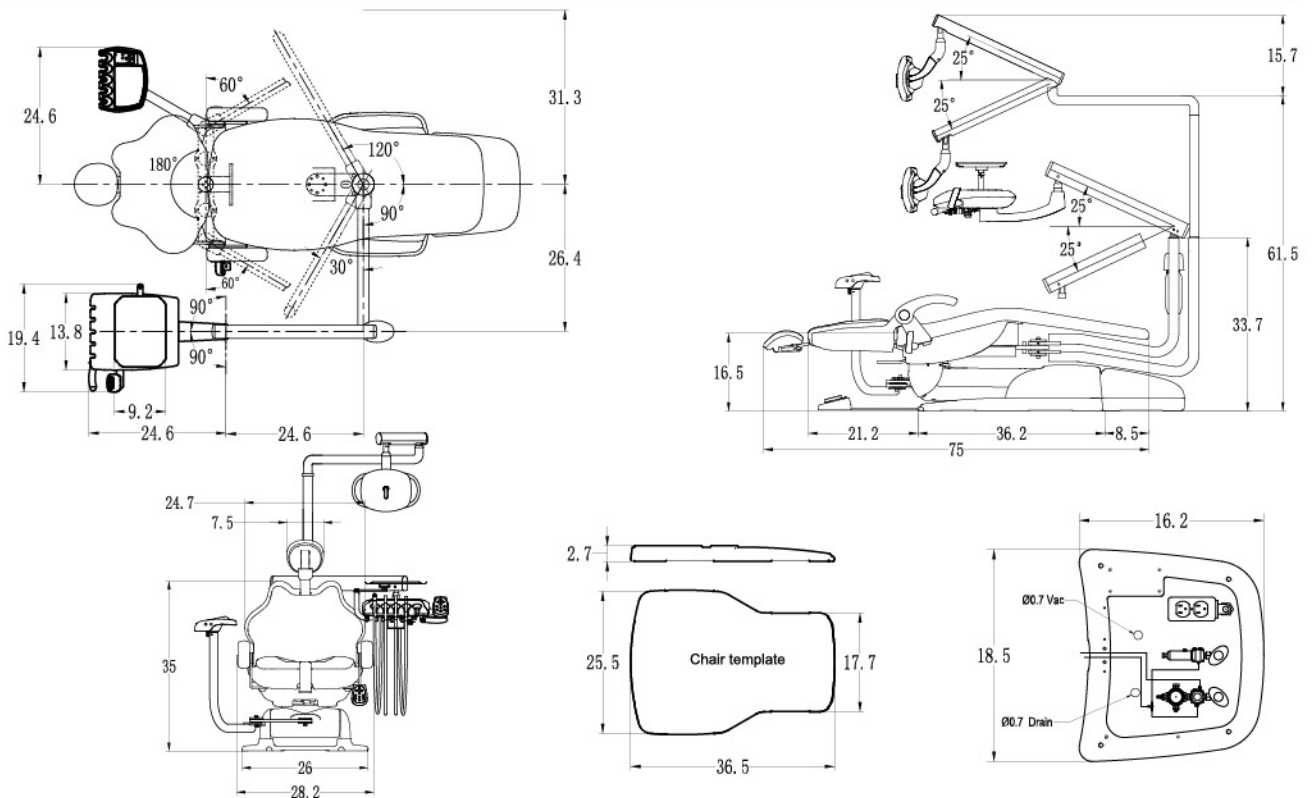


HP Fiber optic system
Part number: A121532

AJ16 Beyond400

Dimensions

Unit: inch



AJ16 Beyond400

Standard Features

- AJ16 Luxury hydraulic chair, with 3 programmable positions,
- Articulating headrest, Swing up/down aluminium armrest,
- Wide backrest, upgraded fiber leather, Cast iron chair frame,
- Cast aluminium backrest stand, Cast aluminium base,
- 60 degrees seat rotation, chair safety switch,
- One touchpad attached on armrest, Foot control
- Chair mounted swing rear assistant vacuum package,
- Assistant touchpad, Water outlet and air QD on assistant tray,
- Solids collector, 2 HVE, 1SE, 1 syringe
- Swing Beyond dentist's control head, Standard touchpad,
- Cast aluminium delivery head base, double pivot delivery head, 3 auto H.P. control, Individual water coolant controls,
- Master handpiece air coolant adjustment, Asepsis handpiece tubing,
- Master on/off switch, 1 doctor syringe,
- Wet/Dry foot control, Stainless steel tray with non-slip pad,
- City/bottled water system, 5 ft umbilical,
- Junction box with air/water filters, regulators, master shut-off valves,
- Post mount LED light with sensor control, 3 level intensity adjustment

Operatory System

Part number	Description	Retail Price
A9164002	AJ16 Beyond400 Left/Right Swing Operatory Package	\$13,852

Package includes

A091602	AJ16 Hydraulic Chair Luxury hydraulic chair with cast aluminium backrest stan and chair base, 3 programmable positions, wide backrest, upgraded fiber leather	\$7,556
A0724003	Beyond400 delivery system Beyond 400 Left/Right Swing Delivery System with 3 auto HP control, dentist touchpad, bottled water system, Swing assistant vac pac with 2HVE, 1SE and 1 syringe, assitant touchpad.	\$5,038
A0502551	• Beyond Swing mount dentist's control Swing Beyond dentist's control head, Standard touchpad, Cast aluminium delivery head base, double pivot delivery head, 3 auto H.P. control, 1 doctor syringe, Wet/Dry foot control, Stainless steel tray, City/bottled water system, 5 ft umbilical, Junction box with valves	\$3,526
A0332302	• Beyond Swing mount assistant vacumm package Chair mounted swing rear assistant vacumm package, Assistant touchpad, 2 HVE, 1SE, 1 syringe	\$1,512
A0603600	Swing mount Whale LED light Swing mount touchless sensor Whale LED Dental Light with 24" light post and swing compass arm	\$1,260
A11204	Chair adapter D No charge in ADS package	

Options

A121532	HP Fiber optic system with 1 tubing (6 pin)	\$352
A121533	HP Fiber optic system with 2 tubings (6 pin)	\$504
A11302	Swing mounted monitor arm and bracket	\$604
A120401	Built-in scaler	\$604
A120301	Built-in curing light	\$454
A121902	Additional umbilical per foot for Classic 200/Beyond 400	\$38/ft
A121714	Amber LED light	\$252 Add
A0502532	Continental dentist's control	\$252 Add
A080103	D3 Doctor stool	\$568
A080224	N4 Assistant stool	\$694
A121534	Electric handpiece motor	\$2332
8018895	Additional 4th handpiece tubing	\$198
A121963	Bien Air MCX Built In System	Call For Price

Packing Dimensions (L*W*H) Weight

Chair:	47.6*30.5*31.3"	364 lbs.
Upholstery:	50.4*25*8.9"	18 lbs.
Beyond Dentist's Control:	30.8*23.1*14.1"	30 lbs.
Swing mount assistant vacuum package:	33.9*30.8*8"	44 lbs.
Beyond Junction box:	19.4*17.8*8.8"	8 lbs.
Dental Light:	31.1*18.1*7.1"	17 lbs.

Options



Amber LED light
Part number: A121714

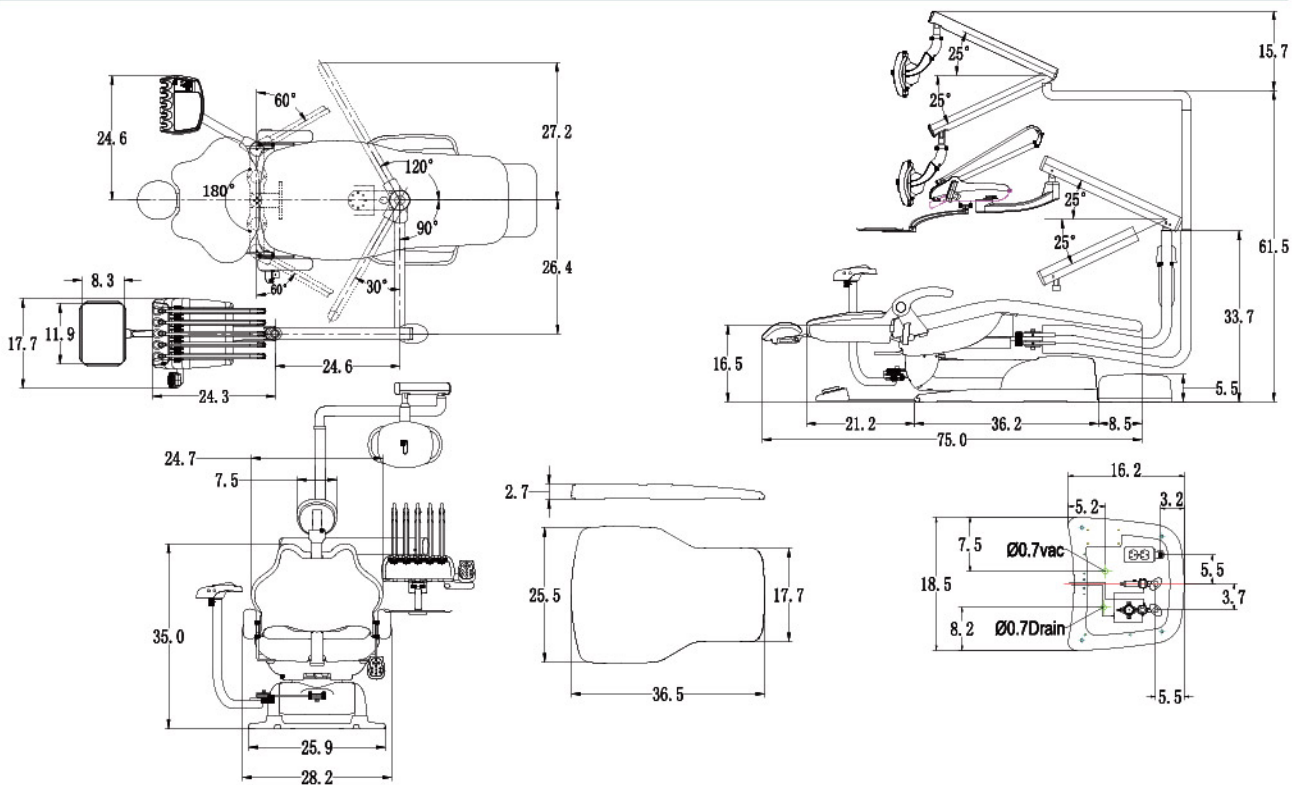


HP Fiber optic system
Part number: A121532

AJ16 Beyond 400 Continental

Dimensions

Unit: inch



AJ16 Beyond 400 Continental

Standard Features

- AJ16 Luxury hydraulic chair, with 3 programmable positions,
- Articulating headrest, Swing up/down aluminium armrest,
- Wide backrest, upgraded fiber leather, Cast iron chair frame,
- Cast aluminium backrest stand, Cast aluminium base,
- 60 degrees seat rotation, chair safety switch,
- One touchpad attached on armrest, Foot control
- Chair mounted swing rear assistant vacuum package,
- Assistant touchpad, Water outlet and air QD on assistant tray,
- Solids collector, 2 HVE, 1SE, 1 syringe
- Post mount LED light with sensor control, 3 level intensity adjustment
- Swing Beyond dentist's control head, Standard touchpad,
- Cast aluminium delivery head base, double pivot delivery head, 3 auto H.P. control, Individual water coolant controls,
- Master handpiece air coolant adjustment, Asepsis handpiece tubing,
- Master on/off switch, 1 doctor syringe,
- Wet/Dry foot control, Stainless steel tray with non-slip pad,
- City/bottled water system, 5 ft umbilical,
- Junction box with air/water filters, regulators, master shut-off valves,

Operatory System

Part number	Description	Retail Price
A9164003	AJ 16 Beyond 400 Continental	\$14,104

Package includes

A091602	AJ16 Hydraulic Chair Luxury hydraulic chair with cast aluminium backrest stan and chair base, 3 programmable positions, wide backrest, upgraded fiber leather	\$7,556
A0724004	Beyond400 delivery system Continental	\$5,290
A0502531	• Continental Swing mounted dentist's control Swing Beyond dentist's control head, Standard touchpad, Cast aluminium delivery head base, double pivot delivery head, 3 auto H.P. control, 1 doctor syringe, Wet/Dry foot control, Stainless steel tray, City/bottled water system, 5 ft umbilical, Junction box with valves	\$3,778
A0332302	• Beyond Swing mount assistant vacumm package Chair mounted swing rear assistant vacumm package, Assistant touchpad, 2 HVE, 1SE, 1 syringe	\$1,512
A0603600	Swing mount Whale LED light Swing mount touchless sensor Whale LED light with 30" light post	\$1,260
A11204	Chair adapter D	No charge in ADS package

Options

A121532	HP Fiber optic system with 1 tubing (6 pin)	\$352
A121533	HP Fiber optic system with 2 tubings (6 pin)	\$504
A11302	Swing mounted monitor arm and bracket	\$604
A120401	Built-in scaler	\$604
A120301	Built-in curing light	\$454
A121902	Additional umbilical per foot for Classic 200/Beyond 400	\$38/ft
A121714	Amber LED light	\$252 Add
A080103	D3 Doctor stool	\$568
A080224	N4 Assistant stool	\$694
A121534	Electric handpiece motor	\$2332
8018895	Additional 4th handpiece tubing	\$198
A121963	Bien Air MCX Built In System	Call For Price

Packing Dimensions (L*W*H) Weight

Chair:	47.6*30.5*31.3"	364 lbs.
Upholstery:	50.4*25*8.9"	18 lbs.
Beyond Dentist's Control:	30.8*23.1*14.1"	30 lbs.
Swing mount assistant vacuum package:	33.9*30.8*8"	44 lbs.
Beyond Junction box:	19.4*17.8*8.8"	8 lbs.
Dental Light:	31.1*18.1*7.1"	17 lbs.



Options



Continental dentist's control
Part number: A0502532



Amber LED light
Part number: A121714

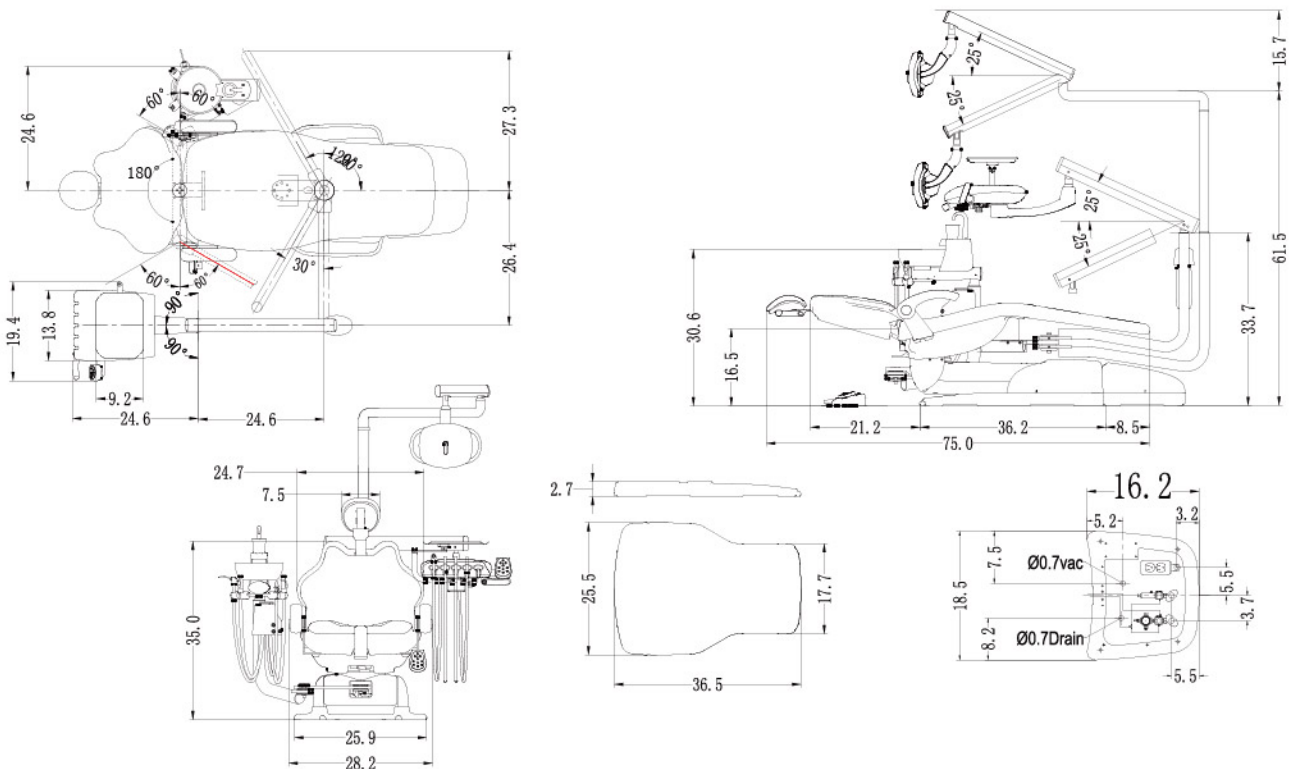


HP Fiber optic system
Part number: A121532

AJ16 Beyond401

Dimensions

Unit: inch



AJ16 Beyond401

Standard Features

- AJ16 Luxury hydraulic chair, with 3 programmable positions,
- Articulating headrest, Swing up/down aluminium armrest,
- Wide backrest, upgraded fiber leather, Cast iron chair frame,
- Cast aluminium backrest stand, Cast aluminium base,
- 60 degrees seat rotation, chair safety switch,
- One touchpad, Foot control
- Chair mounted swing rear cuspidor and assistant vacuum package,
- Assistant touchpad, Water outlet and air QD on assistant tray,
- Solids collector, 2 HVE, 1SE, 1 syringe
- Swing Beyond dentist's control head, Standard touchpad,
- Cast aluminium delivery head base, double pivot delivery head, 3 auto H.P. control,
- Post mount LED light with sensor control, 3 level intensity adjustment
- Individual water coolant controls,
- Master handpiece air coolant adjustment,
- Asepsis handpiece tubing,
- Master on/off switch, 1 doctor syringe, Wet/Dry foot control,
- Stainless steel tray with non-slip pad,
- City/bottled water system, 5 ft umbilical,
- Junction box with air/water filters, regulators, master shut-off valves,

Operatory System

Part number	Description	Retail Price
A9164012	AJ16 Beyond401 Left/Right Swing Operatory Package with cuspidor	\$14,482

Package includes

A091602	AJ16 Hydraulic Chair AJ16 Luxury hydraulic chair with cast aluminium backrest stan and chair base, 3 programmable positions, wide backrest, upgraded fiber leather	\$7,556
A0724012	Beyond401 delivery system Beyond 401 Left/Right Swing Luxury Delivery System with 3 auto HP control, dentist touchpad, bottled water system, Swing mount side box, cuspidor and assistant vac pac with 2HVE, 1SE and 1 syringe, assitant touchpad.	\$5,668
A0502551	• Beyond Swing mount dentist's control Swing Beyond dentist's control head, Standard touchpad, Cast aluminium delivery head base, double pivot delivery head, 3 auto H.P. control, 1 doctor syringe, Wet/Dry foot control, Stainless steel tray, City/bottled water system, 5 ft umbilical, Junction box with valves	\$3,526
A0402400	• Classic/Beyond Swing mount cuspidor and assistant vacuum package 201/401 Chair mounted swing rear cuspidor and assistant vacuum package, 2 HVE, 1 SE, 1 syringe	\$2,142
A0603600	Swing mount Whale LED light Swing mount touchless sensor Whale LED Dental Light with 24" light post and swing compass arm	\$1,260
A11206	Chair adapter E No charge in ADS package	

Options

A121532	HP Fiber optic system with 1 tubing (6 pin)	\$352
A121533	HP Fiber optic system with 2 tubings (6 pin)	\$504
A11302	Swing mounted monitor arm and bracket	\$604
A120401	Built-in scaler	\$604
A120301	Built-in curing light	\$454
A121918	Additional umbilical per foot for Classic 201/Beyond 401	\$38/ft
A121714	Amber LED light	\$252 Add
A0502532	Continental dentist's control	\$252 Add
A080103	D3 Doctor stool	\$568
A080224	N4 Assistant stool	\$694
A121534	Electric handpiece motor	\$2332
8018895	Additional 4th handpiece tubing	\$198
A121963	Bien Air MCX Built In System	Call For Price

Packing Dimensions (L*W*H) Weight

Chair:	47.6*30.5*31.3"	364 lbs.
Upholstery:	50.4*25*8.9"	18 lbs.
Beyond Dentist's Control:	30.8*23.1*14.1"	30 lbs.
Swing mount assistant vacuum package:	33.9*30.8*8"	44 lbs.
Beyond Junction box:	19.4*17.8*8.8"	8 lbs.
PMU:	43.9*21.1*13.7"	33 lbs.
Dental Light:	31.1*18.1*7.1"	17 lbs.

Options



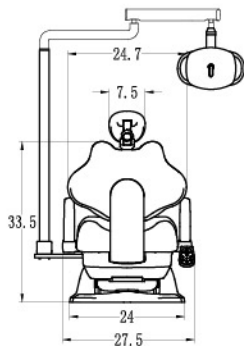
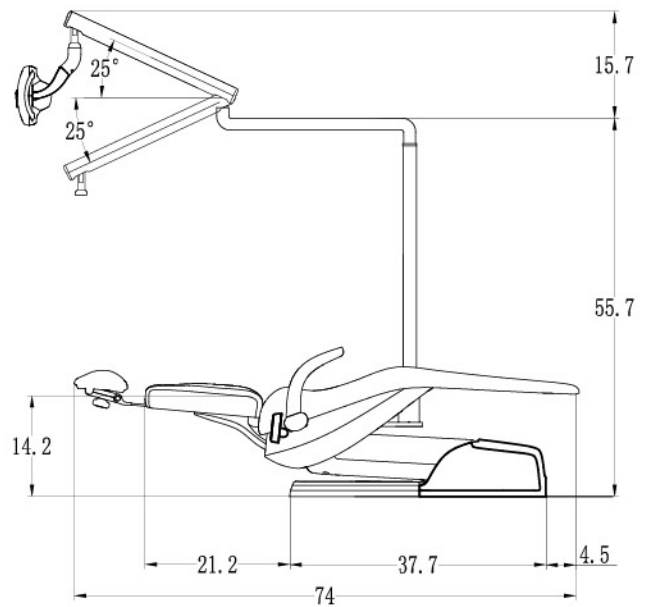
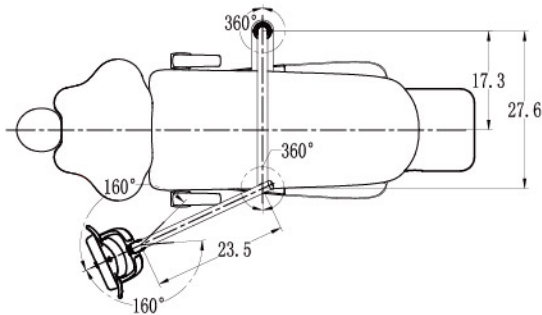
Amber LED light
Part number: A121714



AJ12 EL Ortho chair

Dimensions

Unit: inch



AJ12 EL Ortho chair

Standard Features

- AJ12 Electromechanical chair with 3 programmable positions,
- Articulating headrest, Swing up/down aluminium armrest,
- Steel backrest stand, Steel base plate,
- Chair safety switch,
- One touchpad, Foot control

- Post mount LED light with sensor control
- 3 level intensity adjustment

Operatory System

Part number	Description	Retail Price
A9120021	AJ12 EL Ortho chair	\$5,542

Package includes

A091201	AJ12 EL chair Electricmechanical patient chair with 3 programmable postions and fiber leather	\$4,282
A0604601	Post mount Whale LED light with 40" light post and chair adapter Post mount touchless sensor Whale LED light with 40" light post	\$1,260

Options

A121532	HP Fiber optic system with 1 tubing (6 pin)	---- \$352
A121533	HP Fiber optic system with 2 tubings (6 pin)	---- \$504
A120502	Monitor bracket for Orthodontic Mobile Cart	----- \$604
A080103	D3 Doctor stool	----- \$568
A121968	AJ12 Ponytail headrest with bracket	----- \$210 Add

	Packing Dimensions (L*W*H)	Weight
AJ12 Chair:	47.6*30.5*31.3"	320 lbs.
Upholstery:	50.4*25*8.9"	18 lbs.
Dental Light:	31.1*18.1*7.1"	17 lbs.
Post:	40.9*2.7*2.7"	7 lbs.



Options

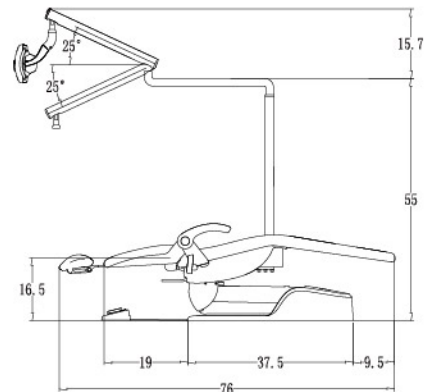
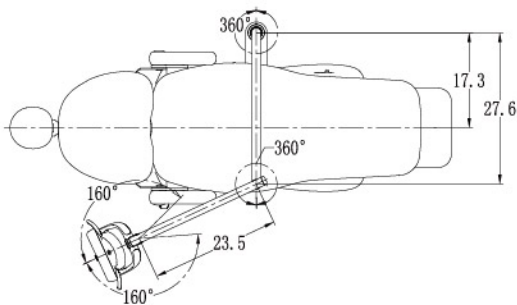
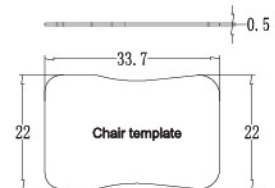
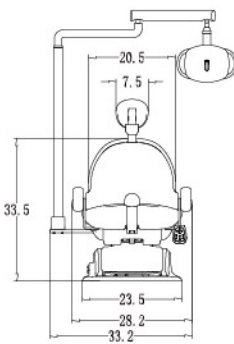


Amber LED light
Part number: A121714

AJ15 Ortho chair

Dimensions

Unit: inch



AJ15 Ortho chair

Standard Features

- AJ15 hydraulic chair with 3 programmable positions,
- Articulating headrest,
- Swing up/down aluminium armrest,
- Narrow backrest, upgraded fiber leather,
- Cast iron chair frame,
- Steel backrest stand, Steel base plate,
- 60 degrees seat rotation, chair safety switch,
- One touchpad, Foot control
- Post mount LED light with sensor control
- 3 level intensity adjustment

Operatory System

Part number	Description	Retail Price
A9150012	AJ15 Ortho chair	\$7,934

Package includes

A091502	AJ15 chair AJ15 hydraulic chair with 3 programmable positions	\$6,674
A0604601	Post mount Whale LED light with 40" light post and chair adapter Post mount touchless sensor Whale LED light with 40" light post	\$1,260

Options

			Packing Dimensions (L*W*H)	Weight
A121532	HP Fiber optic system with 1 tubing (6 pin) ----	\$352	Chair: 47.6*30.5*31.3"	364 lbs.
A121533	HP Fiber optic system with 2 tubings (6 pin) ----	\$504	Upholstery: 50.4*25*8.9"	18 lbs.
A120502	Monitor bracket for Orthodontic Mobile Cart ----	\$604	Dental Light: 31.1*18.1*7.1"	17 lbs.
A080103	D3 Doctor stool	\$568	Post: 40.9*2.7*2.7"	7 lbs.
A121969	AJ15 Ponytail headrest with bracket	\$210 Add		



Options

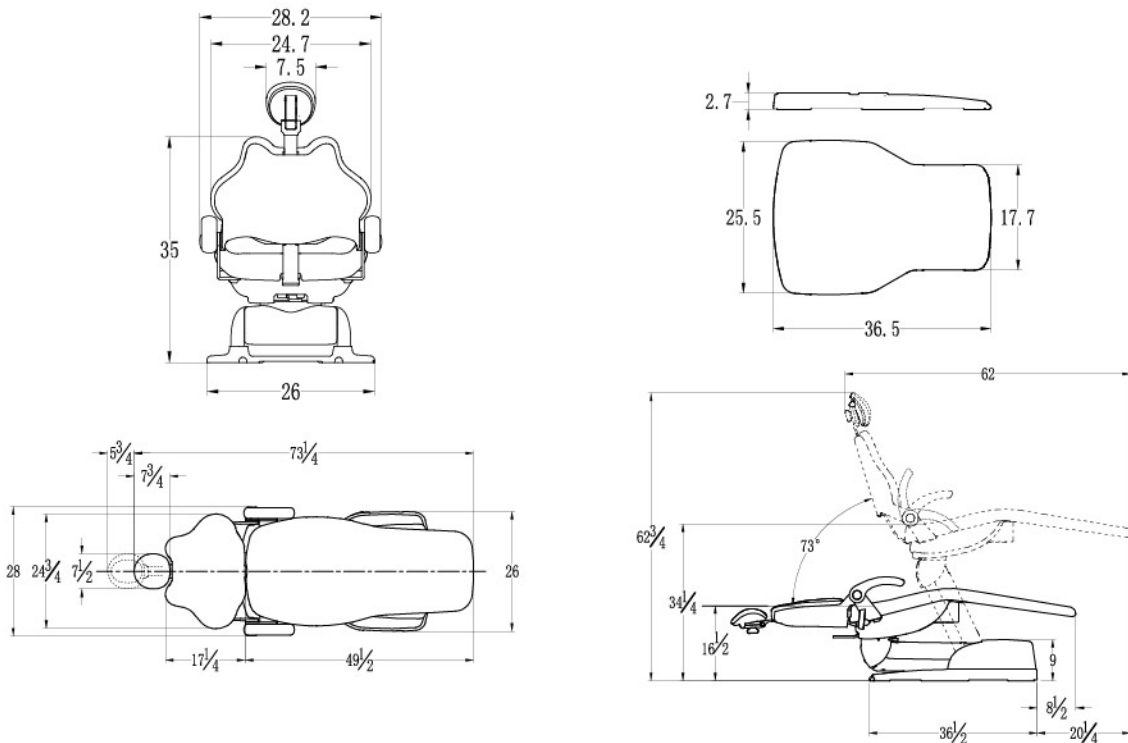


Amber LED light
Part number: A121714

AJ16 Ortho chair

Dimensions

Unit: inch



AJ16 Ortho chair

Standard Features

- AJ16 Luxury hydraulic chair, with 3 programmable positions,
- Articulating headrest,
- Swing up/down aluminium armrest,
- Wide backrest, upgraded fiber leather,
- Cast iron chair frame,
- Cast aluminium backrest stand,
- Cast aluminium base,
- 60 degrees seat rotation, chair safety switch,
- One touchpad, Foot control
- Post mount LED light with sensor control
- 3 level intensity adjustment

Operatory System

Part number	Description	Retail Price
A9160012	AJ16 Ortho chair	\$8,816

Package includes

A091602	AJ16 chair AJ16 Luxury hydraulic chair, with 3 programmable positions,	\$7,556
A0604601	Post mount Whale LED light with 40" light post and chair adapter Post mount touchless sensor Whale LED light with 40" light post	\$1,260

Options

Options		Packing Dimensions (L*W*H)	Weight
A121532	HP Fiber optic system with 1 tubing (6 pin) ---- \$352	Chair: 47.6*30.5*31.3"	364 lbs.
A121533	HP Fiber optic system with 2 tubings (6 pin)---- \$504	Upholstery: 50.4*25*8.9"	18 lbs.
A120502	Monitor bracket for Orthodontic Mobile Cart ----- \$604	Dental Light: 31.1*18.1*7.1"	17 lbs.
A080103	D3 Doctor stool ----- \$568	Post: 40.9*2.7*2.7"	7 lbs.
A121969	AJ16 Ponytail headrest with bracket ----- \$210 Add		



Enlarged Orthodontic Mobile Cart OC-2

Part number: **A0504552**
 Retail Price **\$4,030**

Options



Monitor Bracket

Standard Features

- Vertical and horizontal travel
- 4-way pivot adjustment
- Standard 3" spacing
- 1 Year warranty

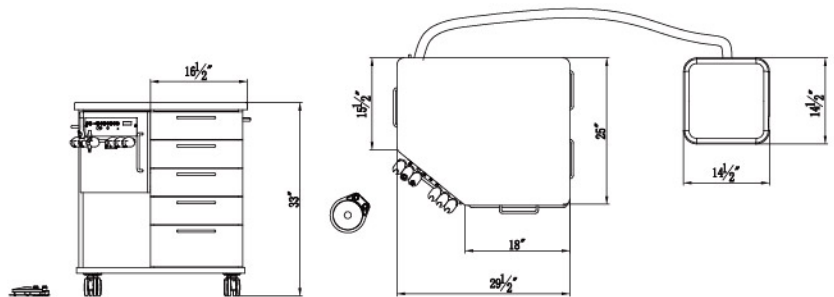
Part number: **A120502**
 Retail Price **\$604**

Standard Features

Solid surface table,
 Orthodontic mobile cart
 with 3 auto H.P.control,
 Master on/off switch,
 1 syringe,1HVE,1SE,
 Self contained water bottle system,
 Wet/Dry foot control,
 5 drawers,
 Junction box and valves,
 8'umbilical,
 5 Hole Plug
 Warranty: 5 years on the unit
 and 1 year on the cart

Dimensions

Unit: inch



Options

A121532	HP Fiber optic system with 1 tubing (6 pin)	-----	\$352
A121533	HP Fiber optic system with 2 tubings (6 pin)	-----	\$504
A120401	Built-in scaler	-----	\$604

Packing Dimensions (L*W*H)

Weight

Orthodontic Mobile Cabinet:
 29.4*28.3*35.3"

95 lbs.



Smaller Orthodontic Mobile Cart OC-3

Part number: **A0504553**

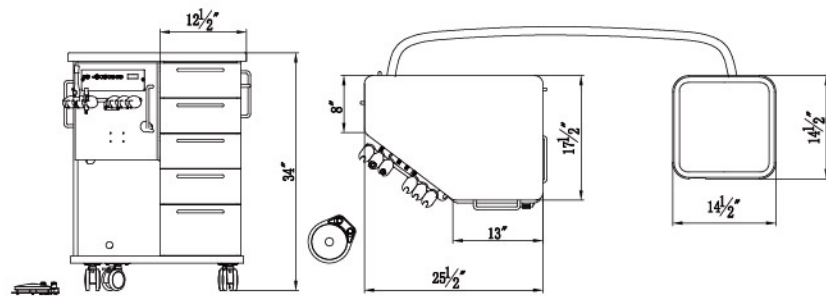
Retail Price **\$3,022**

Standard Features

Solid surface table,
Orthodontic mobile cart
with 3 auto H.P.control,
Master on/off switch,
1 syringe,1HVE,1SE,
Self contained water bottle system,
Wet/Dry foot control,
5 drawers,
Junction box and valves,
8'umbilical,
5 Hole Plug
Warranty: 5 years on the unit
and 1 year on the cart

Dimensions

Unit: Inch



Options



Monitor Bracket

Standard Features

Vertical and horizontal travel
4-way pivot adjustment
Standard 3" spacing
1 Year warranty

Part number: **A120502**

Retail Price **\$604**

Options

A121532	HP Fiber optic system with 1 tubing (6 pin)	-----	\$352
A121533	HP Fiber optic system with 2 tubings (6 pin)	-----	\$504
A120401	Built-in scaler	-----	\$604

Packing Dimensions (L*W*H)

Orthodontic Mobile Cabinet:
29.4*28.3*35.3"

AJ17 Chair



AJ19 Chair



Pediatric Packages



AJ17 Classic 100

Part number: **A9171001**

Retail Price **\$9,068**

Package includes

- **AJ17 EL Pediatric Chair** Part number: **A091701**
 Electricmechanical pediatric chair with telescoping backrest for 3-10 year old kids, 3 programmable postions and fiber leather
 Retail price \$4,786
- **Classic 100 delivery system** Part number: **A0711001**
 Classic Over the patient (OTP) dental unit with PMU
 Retail price \$3,274
- **Classic Post mount Dentist's Control** Part number: **A0502520**
 Classic dentist's control head with 3 auto H.P. control, 1 doctor syringe, Wet/Dry foot control, Stainless steel tray with non-slip pad, Rigid arm and Flex arm
 Retail price \$2,268
- **Classic 100 Post Mounted Utility (PMU)** Part number: **A0710010**
 Classic 100 Post mounted utility (PMU) with steel side box, City water/bottled system, Water outlet and air QD, Telescoping assistant's arm with 2 HVE, 1SE, 1 syringe, Junction box with valves
 Retail price 1,008
- **Post mount Whale LED light** Part number: **A0602600**
 Post mount touchless sensor
 Whale LED light with 30" light post
 Retail price 1,008
- **Chair adapter B** Part number: **A11202**
 No charge in ADS package

Options

A121532	HP Fiber optic system with 1 tubing (6 pin)	\$352
A121533	HP Fiber optic system with 2 tubings (6 pin)	\$504
A121712	Touch pad for Classic delivery tray	\$454
A120501	ADS Post mount Monitor bracket	\$604
A120401	Built-in scaler	\$604
A120301	Built-in curing light	\$454
A121915	Additional umbilical per foot for Classic 100	\$38/ft
A121714	Amber LED light	\$252 Add
A0502532	Continental dentist's control	\$882 Add
A080103	D3 Doctor stool	\$568
A080224	N4 Assistant stool	\$694
A121534	Electric handpiece motor	\$2332
8018895	Additional 4th handpiece tubing	\$198
A121963	Bien Air MCX Built In System	Call For Price



AJ17 Classic 101

Part number: **A9171011**

Retail Price **\$9,696**

- **AJ17 EL Pediatric Chair** Part number: **A091701**
 Electricmechanical pediatric chair with telescoping backrest for 3-10 year old kids, 3 programmable postions and fiber leather
 Retail price \$4,786
- **Classic 101 delivery system** Part number: **A0711011**
 Classic Over the patient (OTP) dental unit with PMU and cuspidor
 Retail price \$3,904
- **Classic Post mount Dentist's Control** Part number: **A0502520**
 Classic dentist's control head with 3 auto H.P. control, 1 doctor syringe, Wet/Dry foot control, Stainless steel tray with non-slip pad, Rigid arm and Flex arm
 Retail price \$2,268
- **Classic 101 Post Mounted Utility (PMU)** Part number: **A0710111**
 Classic 101 Post mounted utility (PMU) with cuspidor and steel side box, City water/bottled system, Water outlet and air QD, Telescoping assistant's arm with 2 HVE, 1SE, 1 syringe, Junction box with valves,
 Retail price \$1,638
- **Post mount Whale LED light** Part number: **A0602600**
 Post mount touchless sensor
 Whale LED light with 30" light post
 Retail price 1,008
- **Chair adapter B** Part number: **A11202**
 No charge in ADS package

Packing Dimensions (L*W*H) Weight

Chair:	47.6*30.5*31.3"	265 lbs.
Upholstery:	40.8*17.6*8.54"	13 lbs.
Classic Dentist's Control:	30.4*19.1*12"	22 lbs.
PMU:	43.9*21.1*13.7"	33 lbs.
Dental Light:	31.1*18.1*7.1"	17 lbs.

Upholstery Color Selections



Standard Features

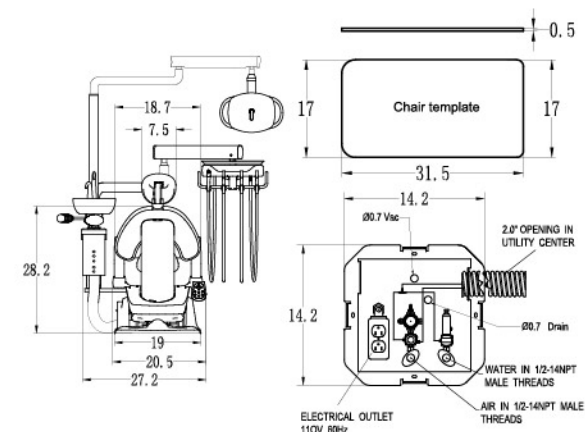
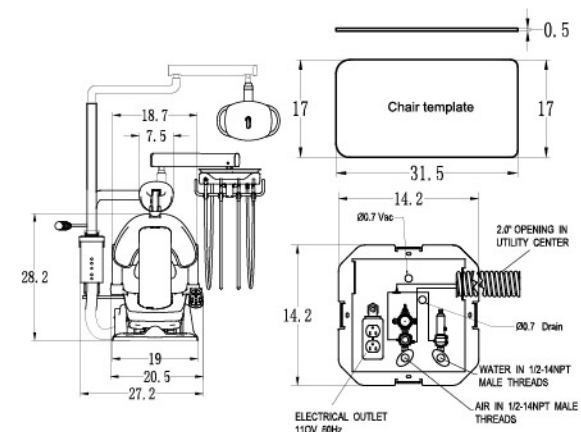
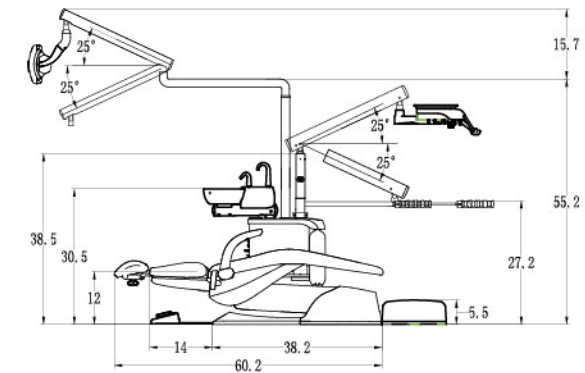
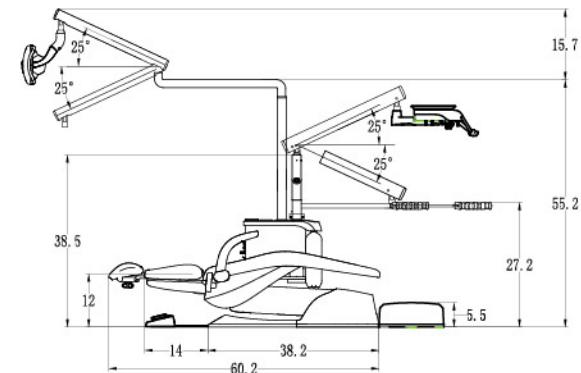
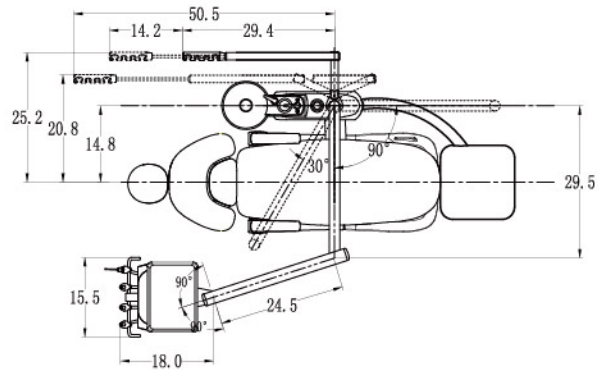
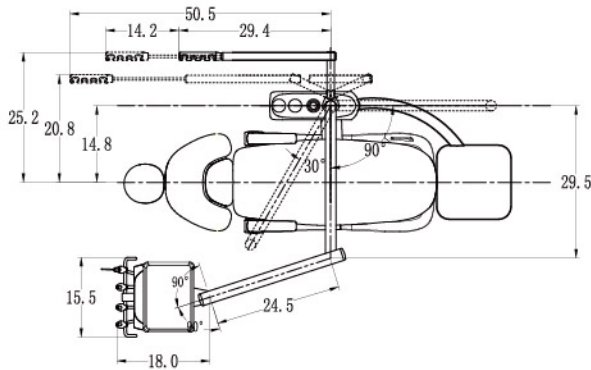
- AJ17 Electromechanical Pediatric chair with telescoping backrest,
- For 3-10 year old kids, 3 programmable positions,
- Articulating headrest, Swing out armrest, Steel backrest stand,
- Steel base plate, Chair safety switch, Upgraded fiber leather,
- One touchpad, Foot control
- Classic dentist's control head with 3 auto H.P. control,
- Individual water coolant controls,
- Master handpiece air coolant adjustment,
- Asepsis handpiece tubing,
- Master on/off switch, 1 doctor syringe,
- Remote toggles for cup fill and bowl rinse, Wet/Dry foot control,
- Stainless steel tray with non-slip pad, Flex arm air brake switch,
- Porcelain cuspidor bowl with strainer, Cup fill & Bowl rinse toggles.
- Classic 100 Post mounted utility (PMU) with steel side box,
- City water/bottled system, Water outlet and air QD,
- Solids collector,
- 2 HVE, 1SE, 1 syringe on telescoping assistant's control,
- Junction box with air/water filters, regulators, master shut-off valves,
- 5 ft. umbilical
- Post mount LED light with sensor control, 3 level intensity adjustment

Dimensions

Unit: inch

AJ17 Classic 100

AJ17 Classic 101





AJ19 Classic 100

Part number: **A9191001**

Retail Price **\$9,320**



AJ19 Classic 101

Part number: **A9191011**

Retail Price **\$9,948**

Package includes

<ul style="list-style-type: none"> • AJ19 EL Pedo Bench AJ19 Electromechanical pediatric bench with up down function, 3 programmable positions and fiber leather 	<p>Part number: A091901 Retail price \$5,038</p>	<ul style="list-style-type: none"> • AJ19 EL Pedo Bench AJ19 Electromechanical pediatric bench with up down function, 3 programmable positions and fiber leather 	<p>Part number: A091901 Retail price \$5,038</p>
<ul style="list-style-type: none"> • Classic 100 delivery system Classic Over the patient (OTP) dental unit with PMU 	<p>Part number: A0711001 Retail price \$3,274</p>	<ul style="list-style-type: none"> • Classic 101 delivery system Classic Over the patient (OTP) dental unit with PMU 	<p>Part number: A0711011 Retail price \$3,904</p>
<ul style="list-style-type: none"> • Classic Post mount Dentist,s Control Classic dentist's control head with 3 auto H.P. control, 1 doctor syringe, Wet/Dry foot control, Stainless steel tray with non-slip pad, Rigid arm and Flex arm 	<p>Part number: A0502520 Retail price \$2,268</p>	<ul style="list-style-type: none"> • Classic Post mount Dentist,s Control Classic dentist's control head with 3 auto H.P. control, 1 doctor syringe, Wet/Dry foot control, Stainless steel tray with non-slip pad, Rigid arm and Flex arm 	<p>Part number: A0502520 Retail price \$2,268</p>
<ul style="list-style-type: none"> • Classic100 Post Mounted Utility (PMU) Classic 100 Post mounted utility (PMU) with steel side box, City water/bottled system, Water outlet and air QD, Telescoping assistant's arm with 2 HVE, 1SE, 1 syringe, Junction box with valves 	<p>Part number: A0710010 Retail price 1,008</p>	<ul style="list-style-type: none"> • Classic101 Post Mounted Utility (PMU) Classic 101 Post mounted utility (PMU) with cuspidor and steel side box, City water/bottled system, Water outlet and air QD, Telescoping assistant's arm with 2 HVE, 1SE, 1 syringe, Junction box with valves, 	<p>Part number: A0710111 Retail price \$1,638</p>
<ul style="list-style-type: none"> • Post mount Whale LED light Post mount touchless sensor Whale LED light with 30" light post 	<p>Part number: A0602600 Retail price 1,008</p>	<ul style="list-style-type: none"> • Post mount Whale LED light Post mount touchless sensor Whale LED light with 30" light post 	<p>Part number: A0602600 Retail price 1,008</p>
<ul style="list-style-type: none"> • Chair adapter B 	<p>Part number: A11202 No charge in ADS package</p>	<ul style="list-style-type: none"> • Chair adapter B 	<p>Part number: A11202 No charge in ADS package</p>

Options

A121532	HP Fiber optic system with 1 tubing (6 pin)	\$352
A121533	HP Fiber optic system with 2 tubings (6 pin)	\$504
A121712	Touch pad for Classic delivery tray	\$454
A120501	ADS Post mount Monitor bracket	\$604
A120401	Built-in scaler	\$604
A120301	Built-in curing light	\$454
A121915	Additional umbilical per foot for Classic 100	\$38/ft
A121714	Amber LED light	\$252 Add
A0502532	Continental dentist's control	\$882 Add
A080103	D3 Doctor stool	\$568
A080224	N4 Assistant stool	\$694
A121534	Electric handpiece motor	\$2332
8018895	Additional 4th handpiece tubing	\$198
A121963	Bien Air MCX Built In System	Call For Price

Packing Dimensions (L*W*H) Weight

Chair:	63*30.5*22.7"	331 lbs.
Upholstery:	50.4*25*8.9"	18 lbs.
Classic Dentist's Control:	30.4*19.1*12"	22 lbs.
PMU:	43.9*21.1*13.7"	33 lbs.
Dental Light:	31.1*18.1*7.1"	17 lbs.

Upholstery Color Selections



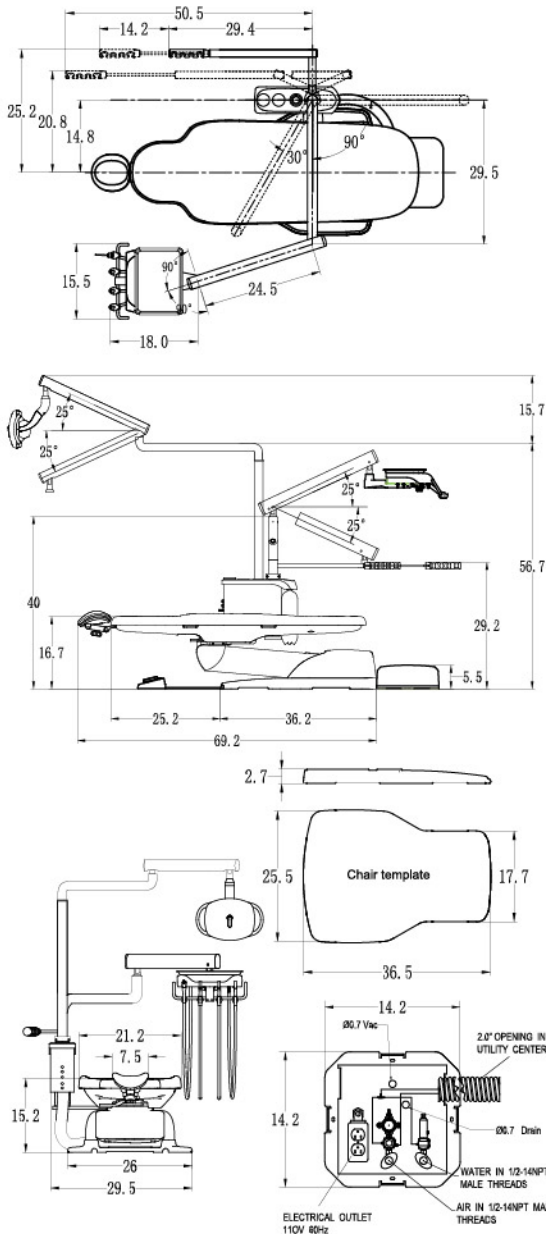
Standard Features

- AJ19 Electromechanical pediatric bench with up down function,
- Articulating headrest,
- Chair safety switch,
- Foot control
- Classic dentist's control head with 3 auto H.P. control,
- Individual water coolant controls,
- Master handpiece air coolant adjustment,
- Asepsis handpiece tubing,
- Master on/off switch, 1 doctor syringe,
- Wet/Dry foot control,
- Stainless steel tray with non-slip pad,
- Flex arm air brake switch
- Classic 100 Post mounted utility (PMU) with steel side box,
- City water/bottled system, Water outlet and air QD,
- Solids collector,
- 2 HVE, 1SE, 1 syringe on telescoping assistant's control,
- Junction box with air/water filters, regulators, master shut-off valves,
- 5 ft. umbilical
- Post mount LED light with sensor control, 3 level intensity adjustment

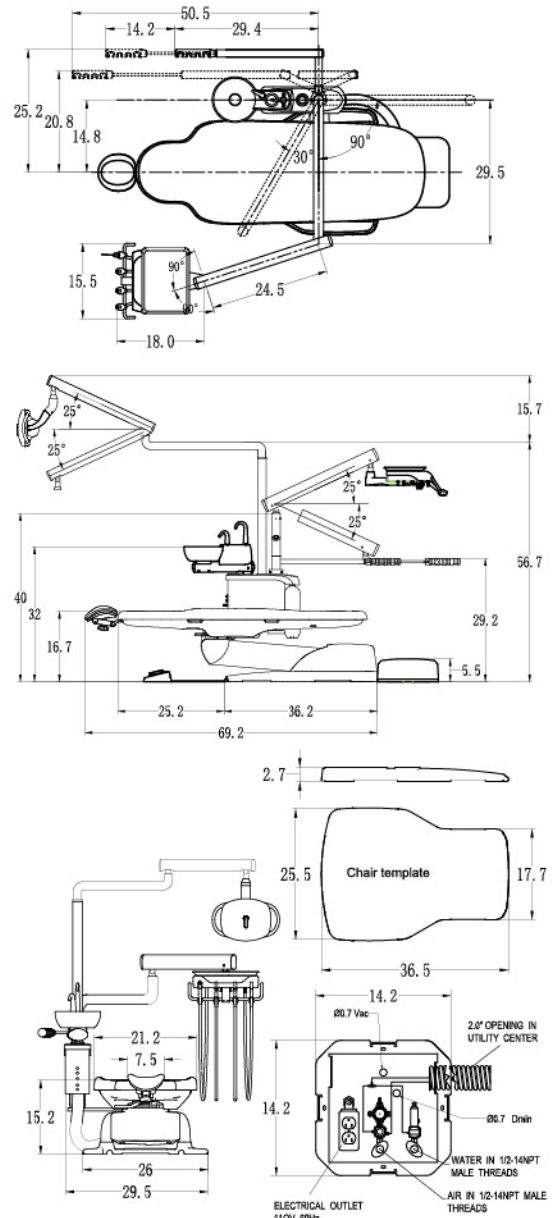
Dimensions

Unit: inch

AJ19 Classic 100



AJ19 Classic 101





Kid cushion

Part number: **A084120**
 Retail Price **\$326**



Neck & Back cushion set

Part number: **A085120**
 Retail Price **\$326**

Standard Features

Making pediatric dentistry easier than ever.
 Tracking Cushion
 Cushion moves with chair back keeping head in position
 Adjustable Strap
 Allows cushion to fit on any chair
 Boosting care and comfort for young patients

Ergonomic design;
 Everlasting comfort for lumbar and cervical support;
 Made from superior quality memory foam and exceptional upholstery

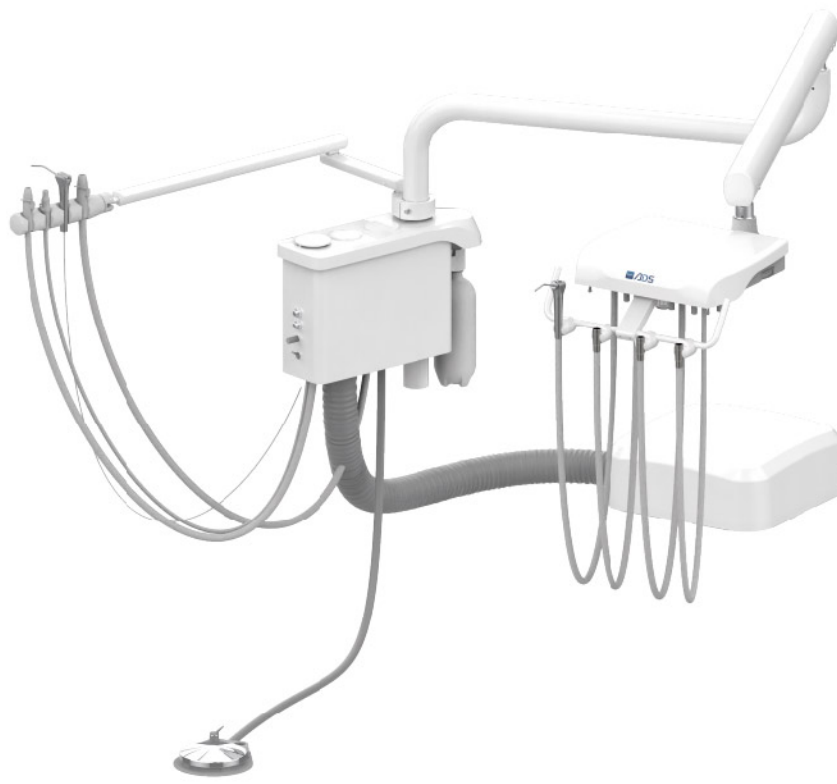
Upholstery Color Selections





Delivery System





Classic 100 delivery system

Part number: **A0711001**

Retail Price **\$3,274**



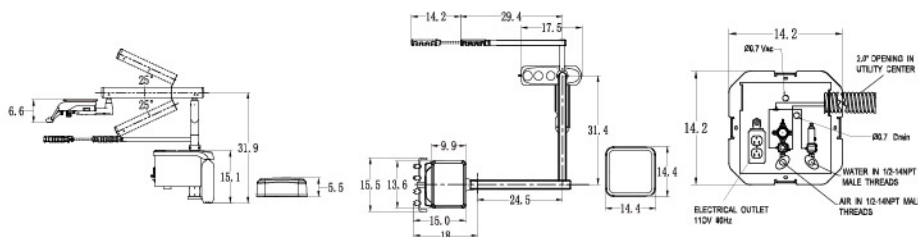
Part number	Description	Retail Price
A0502520	Classic Post mount Dentist's Control Classic dentist's control head with 3 auto H.P. control, Individual water coolant controls, Master handpiece air coolant adjustment, Asepsis handpiece tubing, Master on/off switch, 1 doctor syringe, Wet/Dry foot control, Stainless steel tray with non-slip pad, Flex arm air brake switch	\$2,268
A0710010	Classic 100 Post Mounted Utility (PMU) Classic 100 Post mounted utility (PMU) with steel side box, City water/bottled system, Water outlet and air QD, Solids collector, 2 HVE, 1SE, 1 syringe on telescoping assistant's control, Junction box with air/water filters, regulators, master shut-off valves, 5 ft. umbilical	\$1,008

Options

A121532	HP Fiber optic system with 1 tubing (6 pin) -----	\$352	A120301	Built-in curing light -----	\$454
A121533	HP Fiber optic system with 2 tubings (6 pin) -----	\$504	A121915	Additional umbilical per foot for Classic 100 -----	\$38/ft
A121712	Touch pad for Classic delivery tray -----	\$454	A121916	Additional umbilical per foot for Classic 101 -----	\$38/ft
A120501	ADS Monitor bracket -----	\$604	A0502532	Continental dentist's control -----	\$882 Add
A11202	Chair adapter for for Classic 100 / Classic 101 ----	\$378	A121534	Electric handpiece motor -----	\$2332
A120401	Built-in scaler -----	\$604	8018895	Additional 4th handpiece tubing -----	\$198
			A121963	Bien Air MCX Built In System -----	Call For Price

Dimensions

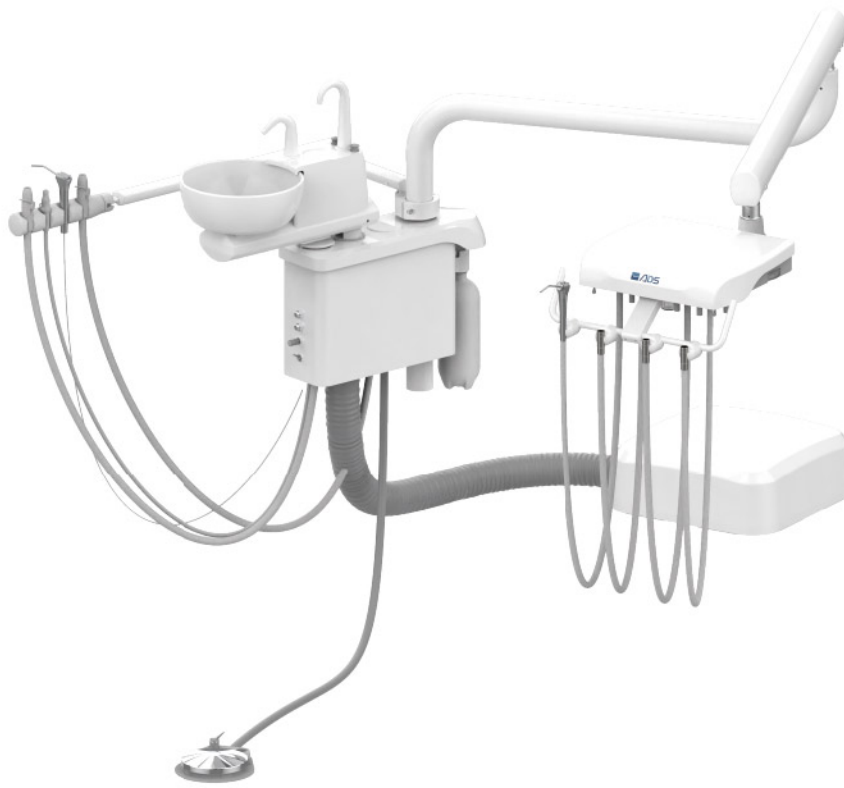
Unit: inch



Packing Dimensions (L*W*H) Weight

Classic Dentist's Control:
30.4*19.1*12" 22 lbs.

PMU: 43.9*21.1*13.7" 33 lbs.



Classic 101 delivery system

Part number: **A0711011**

Retail Price **\$3,904**



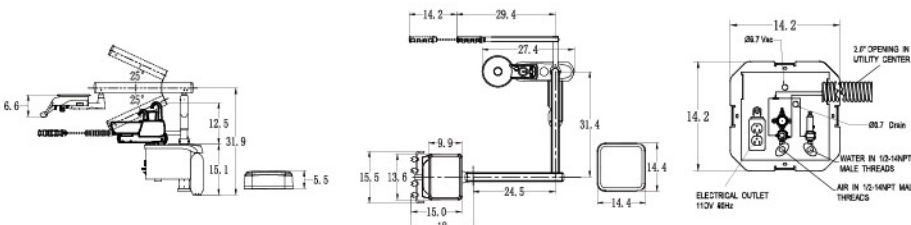
Part number	Description	Retail Price
A0502520	Classic Post mount Dentist's Control Classic dentist's control head with 3 auto H.P. control, Individual water coolant controls, Master handpiece air coolant adjustment, Asepsis handpiece tubing, Master on/off switch, 1 doctor syringe, Wet/Dry foot control, Stainless steel tray with non-slip pad, Flex arm air brake switch	\$2,268
A0710111	Classic101 Post Mounted Utility (PMU) Classic 101 Post mounted utility (PMU) with cuspidor and steel side box, City water/ bottled system, Water outlet and air QD, Solids collector, 2 HVE, 1SE, 1 syringe on telescoping assistant's control, Junction box with air/water filters, regulators, master shut-off valves, 5 ft. umbilical	\$1,638

Options

A121532 HP Fiber optic system with 1 tubing (6 pin) -----	\$352	A120301 Built-in curing light -----	\$454
A121533 HP Fiber optic system with 2 tubings (6 pin) ----	\$504	A121915 Additional umbilical per foot for Classic 100 ----	\$38/ft
A121712 Touch pad for Classic delivery tray -----	\$454	A121916 Additional umbilical per foot for Classic 101 ----	\$38/ft
A120501 ADS Monitor bracket -----	\$604	A0502532 Continental dentist's control -----	\$882 Add
A11202 Chair adapter for for Classic 100 / Classic 101 ----	\$378	A121534 Electric handpiece motor -----	\$2332
A120401 Built-in scaler -----	\$604	8018895 Additional 4th handpiece tubing -----	\$198
		for Classic dentist's control	
		A121963 Bien Air MCX Built In System -----	Call For Price

Dimensions

Unit: inch



Packing Dimensions (L*W*H) Weight



Classic Dentist's Control:
30.4*19.1*12" 22 lbs.

PMU: 43.9*21.1*13.7" 33 lbs.



Classic 200 Left/Right Swing Delivery System

Part number: **A0712003**
Retail Price **\$4,030**

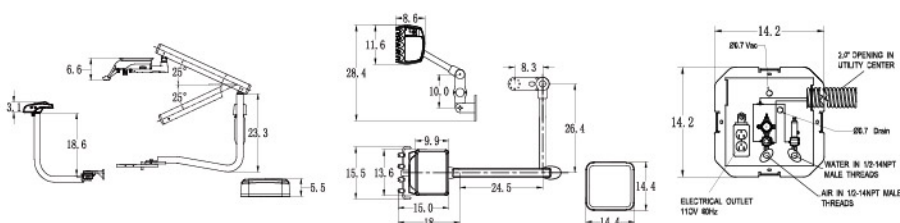
Part number	Description	Retail Price
	A0502521 Classic Swing mount dentist's control Swing Classic dentist's control head with 3 auto H.P. control, Individual water coolant controls, Master handpiece air coolant adjustment, Asepsis handpiece tubing, Master on/off switch, 1 doctor syringe, Wet/Dry foot control, Stainless steel tray with non-slip pad, City/bottled water system, 5 ft umbilical, Junction box with air/water filters, regulators, master shut-off valves,	\$2,896
	A0332303 Swing mount assistant vacuum package Chair mounted swing rear assistant vacuum package, Water outlet and air QD on assistant tray, Solids collector, 2 HVE, 1SE, 1 syringe	\$1,134

Options

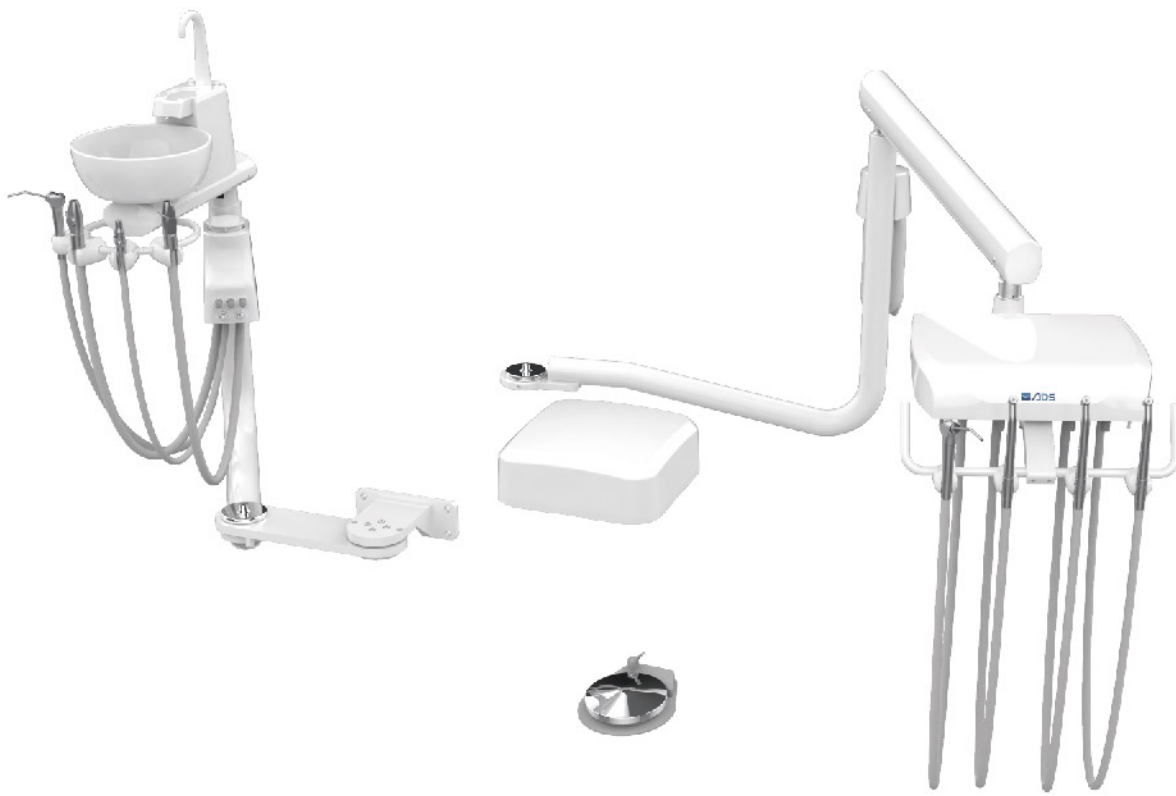
A121532 HP Fiber optic system with 1 tubing (6 pin) -----	\$352	A120301 Built-in curing light -----	\$454
A121533 HP Fiber optic system with 2 tubings (6 pin) -----	\$504	A121902 Additional umbilical per foot for Classic 200 ----	\$38/ft
A121712 Touch pad for Classic delivery tray -----	\$454	A0502532 Continental dentist's control -----	\$882Add
A120501 ADS Monitor bracket -----	\$604	A121534 Electric handpiece motor -----	\$2332
A11202 Chair adapter for for Classic 100 / Classic 101 ----	\$378	8018895 Additional 4th handpiece tubing -----	\$198
A120401 Built-in scaler -----	\$604	A121963 Bien Air MCX Built In System -----	Call For Price

Dimensions

Unit: inch



Packing Dimensions (L*W*H)	Weight
Classic Dentist's Control: 30.4*19.1*12"	22 lbs.
Swing mount assistant vacuum package: 33.9*30.8*8"	44 lbs.
Classic Junction box: 16*15.7*6.8"	5.5 lbs.



Classic 201 Left/Right Swing Delivery System

Part number: **A0712011**
Retail Price **\$5,038**

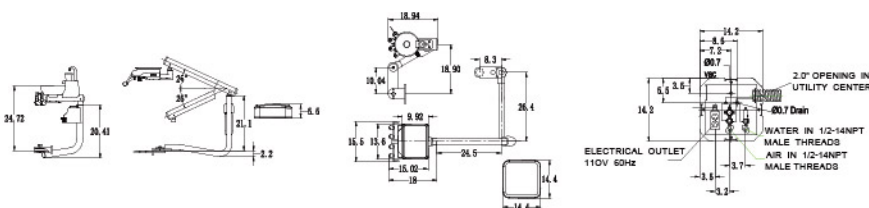
Part number	Description	Retail Price
A0502521	Classic Swing mount dentist's control Swing Classic dentist's control head with 3 auto H.P. control, Individual water coolant controls, Master handpiece air coolant adjustment, Asepsis handpiece tubing, Master on/off switch, 1 doctor syringe, Wet/Dry foot control, Stainless steel tray with non-slip pad, City/bottled water system, 5 ft umbilical, Junction box with air/water filters, regulators, master shut-off valves,	\$2,896
A0402400	Classic/Beyond Swing mount cuspidor and assistant vacuum package Chair mounted swing rear cuspidor and assistant vacuum package, 2 HVE, 1SE, 1 syringe	\$2,142

Options

A121532	HP Fiber optic system with 1 tubing (6 pin)	\$352	A120301	Built-in curing light	\$454
A121533	HP Fiber optic system with 2 tubings (6 pin)	\$504	A121918	Additional umbilical per foot for Classic 201	\$38/ft
A121712	Touch pad for Classic delivery tray	\$454	A0502532	Continental dentist's control	\$882 Add
A120501	ADS Monitor bracket	\$604	A121534	Electric handpiece motor	\$2332
A11202	Chair adapter for for Classic 100 / Classic 101	\$378	8018895	Additional 4th handpiece tubing for Classic dentist's control	\$198
A120401	Built-in scaler	\$604	A121963	Bien Air MCX Built In System	Call For Price

Dimensions

Unit: inch



Packing Dimensions (L*W*H)	Weight
Classic Dentist's Control: 30.4*19.1*12"	22 lbs.
Swing mount assistant vacuum package: 33.9*30.8*8"	44 lbs.
Classic Junction box: 16*15.7*6.8"	5.5 lbs.
PMU: 43.9*21.1*13.7"	33 lbs.



Beyond 300 delivery system

Part number: **A0723002**

Retail Price **\$4,030**

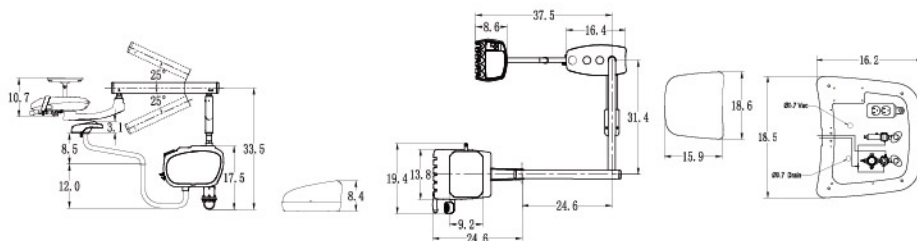
Part number	Description	Retail Price
A0502550	Beyond Post mount Dentist's Control Beyond luxury dentist's control head, Cast aluminium delivery head base, double pivot delivery head, with 3 auto H.P. control, Individual water coolant controls, Master handpiece air coolant adjustment, Asepsis handpiece tubing, Master on/off switch, 1 doctor syringe, Wet/Dry foot control, Stainless steel tray with non-slip pad, Flex arm air brake switch, Porcelain cuspidor bowl with strainer, Cup fill & Bowl rinse toggles.	\$2,896
A0730020	Beyond 300 Post Mounted Utility (PMU) Beyond 300 Post mounted utility (PMU) with silver side box, City water/bottled system, Water outlet and air QD, Swing assistant tray with touchpad, Solids collector, 2 HVE, 1SE, 1 syringe, Alumium base Junction box with air/water filters, regulators, master shut-off valves, 6' internal umbilical	\$1,134

Options

A121532	HP Fiber optic system with 1 tubing (6 pin) ----	\$352	A121534	Electric handpiece motor -----	\$2332
A121533	HP Fiber optic system with 2 tubings (6 pin) ..	\$504	8018895	Additional 4th handpiece tubing -----	\$198
A121713	Touch Pad For Beyond delivery tray -----	\$454		for Beyond dentist's control	
A120501	ADS Monitor bracket -----	\$604	A120401	Built-in scaler -----	\$604
A0502532	Continental dentist's control -----	\$252 Add	A120301	Built-in curing light -----	\$454
			A121901	Additional umbilical per foot for Beyond300/Beyond301 ---	\$38/ft
			A121963	Bien Air MCX Built In System -----	Call For Price

Unit: inch

Dimensions





Packing Dimensions (L*W*H)	Weight
Beyond Dentist's Control: 30.8*23.1*14.1"	27.6 lbs.
PMU: 37.4*25.7*16.1"	35.3 lbs.



Beyond 301 delivery system

Part number: **A0723012**

Retail Price **\$4,660**
Retail Price

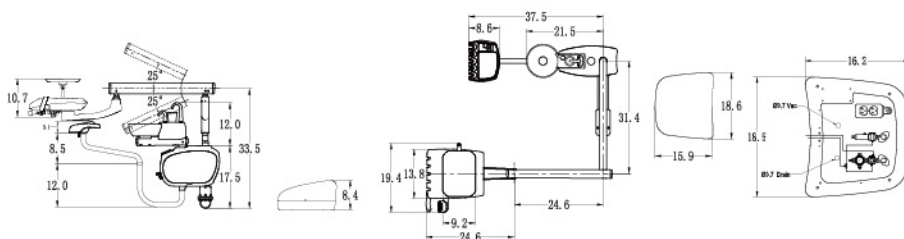
Part number	Description	Retail Price
 A0502550	Beyond Post mount Dentist's Control Beyond luxury dentist's control head, Cast aluminium delivery head base, double pivot delivery head, with 3 auto H.P. control, Individual water coolant controls, Master handpiece air coolant adjustment, Asepsis handpiece tubing, Master on/off switch, 1 doctor syringe, Wet/Dry foot control, Stainless steel tray with non-slip pad, Flex arm air brake switch, Porcelain cuspidor bowl with strainer, Cup fill & Bowl rinse toggles.	\$2,896
 A0730121	Beyond 301 Post Mounted Utility (PMU) Beyond 301 Post mounted utility (PMU) with cuspidor and silver side box, City water/ bottled system, Water outlet and air QD, Swing assistant tray with touchpad, Solids collector, 2 HVE, 1SE, 1 syringe, Aluminium base Junction box with air/water filters, regulators, master shut-off valves, 6' internal umbilical	\$1,764

Options

A121532	HP Fiber optic system with 1 tubing (6 pin) ---\$352	8018895	Additional 4th handpiece tubing\$198 for Beyond dentist's control
A121533	HP Fiber optic system with 2 tubings (6 pin) ..\$504	A120401	Built-in scaler\$604
A121713	Touch Pad For Beyond delivery tray\$454	A120301	Built-in curing light\$454
A120501	ADS Monitor bracket\$604	A121901	Additional umbilical per foot for Beyond300/Beyond301 .. \$38/ft
A0502532	Continental dentist's control\$252 Add	A121963	Bien Air MCX Built In System Call For Price
A121534	Electric handpiece motor\$2332		

Dimensions

Unit: inch



Packing Dimensions (L*W*H)	Weight
Beyond Dentist's Control: 30.8*23.1*14.1"	27.6 lbs.
PMU: 37.4*25.7*16.1"	35.3 lbs.



Beyond 400 Left/Right Swing Delivery System

Part number: **A0724003**

Retail Price **\$5,038**



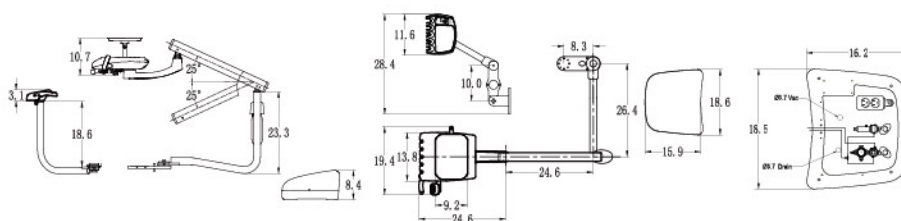
Part number	Description	Retail Price
A0502551	Beyond Swing mount dentist's control Swing Beyond dentist's control head, Standard touchpad, Cast aluminium delivery head base, double pivot delivery head, 3 auto H.P. control, Individual water coolant controls, Master handpiece air coolant adjustment, Asepsis handpiece tubing, Master on/off switch, 1 doctor syringe, Wet/Dry foot control, Stainless steel tray with non-slip pad, City/bottled water system, 5 ft umbilical, Junction box with air/water filters, regulators, master shut-off valves,	\$3,526
A0332302	Beyond Swing mount assistant vacuum package Chair mounted swing rear assistant vacuum package, Assistant touchpad, Water outlet and air QD on assistant tray, Solids collector, 2 HVE, 1SE, 1 syringe	\$1,512

Options

A121532	HP Fiber optic system with 1 tubing (6 pin) --- \$352	A120401	Built-in scaler ----- \$604
A121533	HP Fiber optic system with 2 tubings (6 pin) - \$504	A120301	Built-in curing light ----- \$454
A121713	Touch pad for Beyond delivery tray ----- \$454	A121902	Additional umbilical per foot for Classic200 / Beyond400 --- \$38/ft
A120501	ADS Monitor bracket ----- \$604	A121534	Electric handpiece motor ----- \$2332
A0502532	Continental dentist's control ----- \$252 Add	A121963	Bien Air MCX Built In System ----- Call For Price
8018895	Additional 4th handpiece tubing ----- \$198 for Beyond dentist's control		

Dimensions

Unit: inch



Packing Dimensions (L*W*H) Weight

Beyond Dentist's Control: 30.8*23.1*14.1"	27.6 lbs.
Swing mount assistant vacuum package: 33.9*30.8*8"	44 lbs.
Beyond Junction box: 19.4*17.8*8.8"	7.7 lbs.



Beyond 401 Left/Right Swing Delivery System

Part number: **A0724012**

Retail Price **\$5,668**



Part number **Description** **Retail Price**

A0502551 **Beyond Swing mount dentist's control** **\$3,526**
 Swing Beyond dentist's control head, Standard touchpad, Cast aluminium delivery head base, double pivot delivery head, 3 auto H.P. control, Individual water coolant controls, Master handpiece air coolant adjustment, Asepsis handpiece tubing, Master on/off switch, 1 doctor syringe, Wet/Dry foot control, Stainless steel tray with non-slip pad, City/bottled water system, 5 ft umbilical, Junction box with air/water filters, regulators, master shut-off valves,

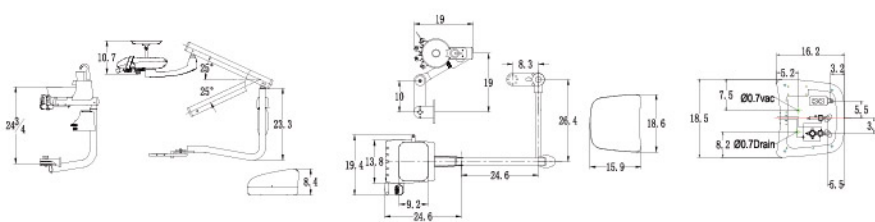


A0402400 **Classic/Beyond Swing mount cuspidor and assistant vacuum package** **\$2,142**
 Chair mounted swing rear cuspidor and assistant vacuum package, 2 HVE, 1SE, 1syringe

Options

A121532	HP Fiber optic system with 1 tubing (6 pin)	\$352	A120401	Built-in scaler	\$604
A121533	HP Fiber optic system with 2 tubings (6 pin) ..	\$504	A120301	Built-in curing light	\$454
A121713	Touch pad for Beyond delivery tray	\$454	A121918	Additional umbilical per foot	\$38/ft for Classic 201 / Beyond401
A120501	ADS Monitor bracket	\$604	A121534	Electric handpiece motor	\$2332
A0502532	Continental dentist's control	\$252 Add	A121963	Bien Air MCX Built In System	Call For Price
8018895	Additional 4th handpiece tubing	\$198 for Beyond dentist's control			

Dimensions



Unit: inch

Packing Dimensions (L*W*H)	Weight
Beyond Dentist's Control: 30.8*23.1*14.1"	27.6 lbs.
Swing mount assistant vacuum package: 33.9*30.8*8"	44 lbs.
Beyond Junction box: 19.4*17.8*8.8"	7.7 lbs.
PMU: 37.4*25.7*16.1"	35 lbs.



Classic Post mount doctor's system

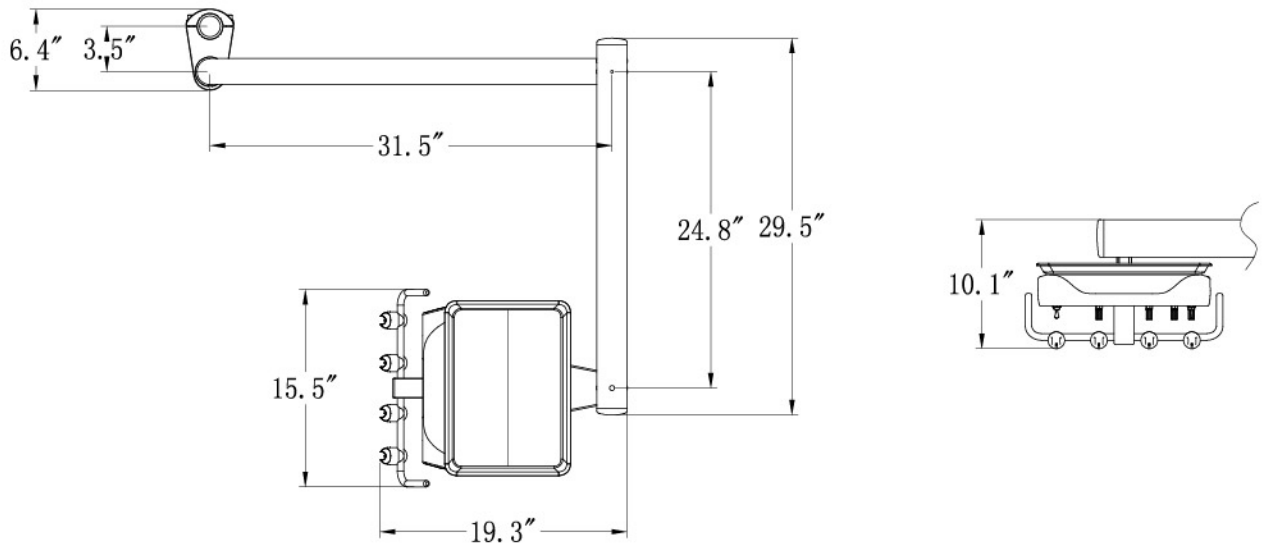
Standard Features

Classic dentist's control head with 3 auto H.P. control,
 Individual water coolant controls,
 Master handpiece air coolant adjustment,
 Asepsis handpiece tubing,
 Master on/off switch,
 1 doctor syringe,
 Wet/Dry foot control,
 Stainless steel tray with non-slip pad,
 Flex arm air brake switch,
 24" rigid arm,
 2" diameter post mount clamp
 Junction box with valves

Part number: **A0502523**
 Retail Price **\$2,394**

Dimensions

Unit: inch



Options

A121532	HP Fiber optic system with 1 tubing (6 pin)	-----	\$352
A121533	HP Fiber optic system with 2 tubings (6 pin)	-----	\$504
A120401	Built-in scaler	-----	\$604
A121534	Electric handpiece motor	-----	\$2332
8018895	Additional 4th handpiece tubing	-----	\$198
	for Classic dentist's control		
A121963	Bien Air MCX Built In System	-----	Call For Price

Packing Dimensions (L*W*H)

Weight

Classic Post mount doctor's system:
 46.1*32.8*20.9" 24.3 lbs.



Beyond Post mount doctor's system

Standard Features

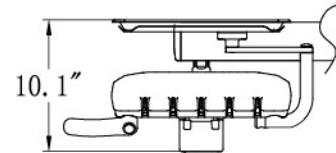
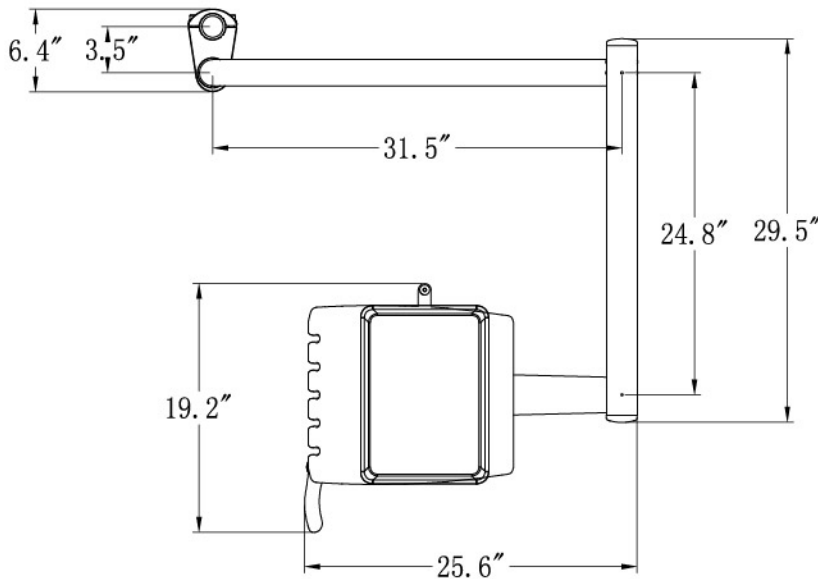
Beyond luxury dentist's control head,
 Cast aluminium delivery head base,
 double pivot delivery head,
 with 3 auto H.P. control,
 Individual water coolant controls,
 Master handpiece air coolant adjustment,
 Asepsis handpiece tubing,
 Master on/off switch,
 1 doctor syringe,
 Wet/Dry foot control,
 Stainless steel tray with non-slip pad,
 Flex arm air brake switch,
 24" rigid arm, 2" diameter post mount clamp
 Junction box with valves

Part number: **A0502553**

Retail Price **\$3,022**

Dimensions

Unit: inch

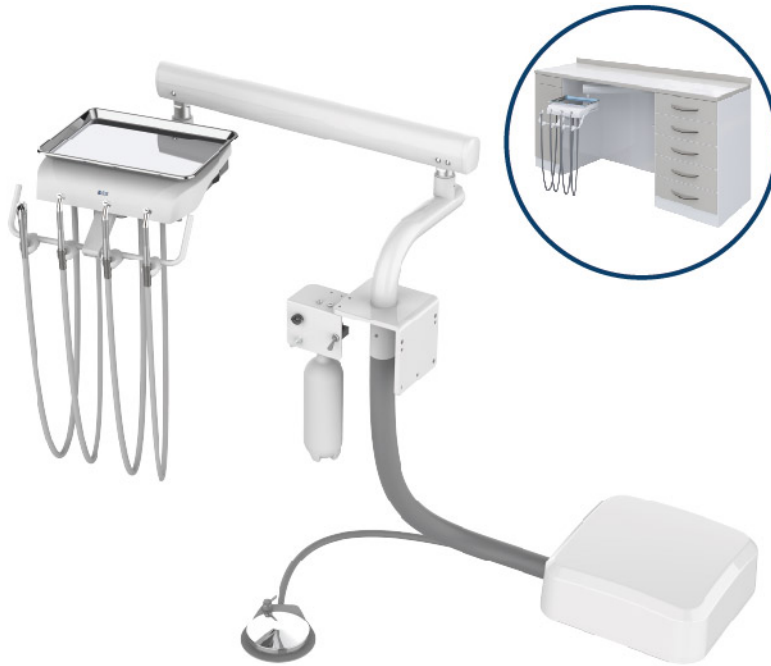


Options

A121532	HP Fiber optic system with 1 tubing (6 pin)	-----	\$352
A121533	HP Fiber optic system with 2 tubings (6 pin)	-----	\$504
A120401	Built-in scaler	-----	\$604
A121534	Electric handpiece motor	-----	\$2332
8018895	Additional 4th handpiece tubing	-----	\$198
	for Beyond dentist's control		
A121963	Bien Air MCX Built In System	-----	Call For Price

Packing Dimensions (L*W*H) Weight

Beyond Post mount doctor's system : 29.8 lbs.
 46.5*36.8*21.9"



Classic cabinet/wall side mount doctor's delivery system (cabinet not included)

Standard Features

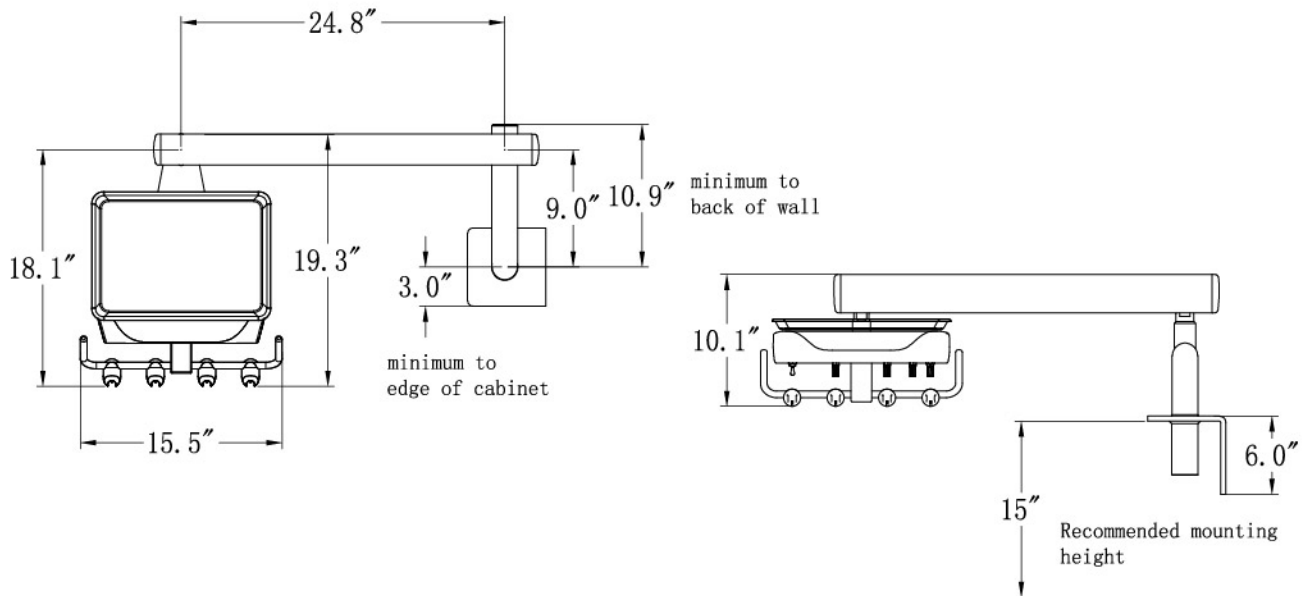
- Classic dentist's control head with 3 auto H.P. control,
- Individual water coolant controls,
- Master handpiece air coolant adjustment,
- Asepsis handpiece tubing,
- Master on/off switch,
- 1 doctor syringe,
- Wet/Dry foot control,
- Stainless steel tray with non-slip pad,
- Flex arm air brake switch,
- 24" rigid arm,
- 2" diameter post mount clamp
- air/water filters, regulators, master shut-off valves
- City water/bottled system

Part number: A0502522

Retail Price \$2,394

Dimensions

Unit: inch



Options

A121532	HP Fiber optic system with 1 tubing (6 pin)	-----	\$352
A121533	HP Fiber optic system with 2 tubings (6 pin)	-----	\$504
A120401	Built-in scaler	-----	\$604
A101502	Classic Junction box case with metal frame	-----	\$90
A101602	Beyond Junction box case with aluminum frame	-----	\$126
A121534	Electric handpiece motor	-----	\$2332
8018895	Additional 4th handpiece tubing	-----	\$198
	for Classic dentist's control		
A121963	Bien Air MCX Built In System	-----	Call For Price

Packing Dimensions (L*W*H)

Weight

Classic cabinet/wall side mount doctor's delivery system:
46.1*32.8*20.9"

33.1 lbs.



Beyond cabinet/wall side mount doctor's delivery system (cabinet not included)

Standard Features

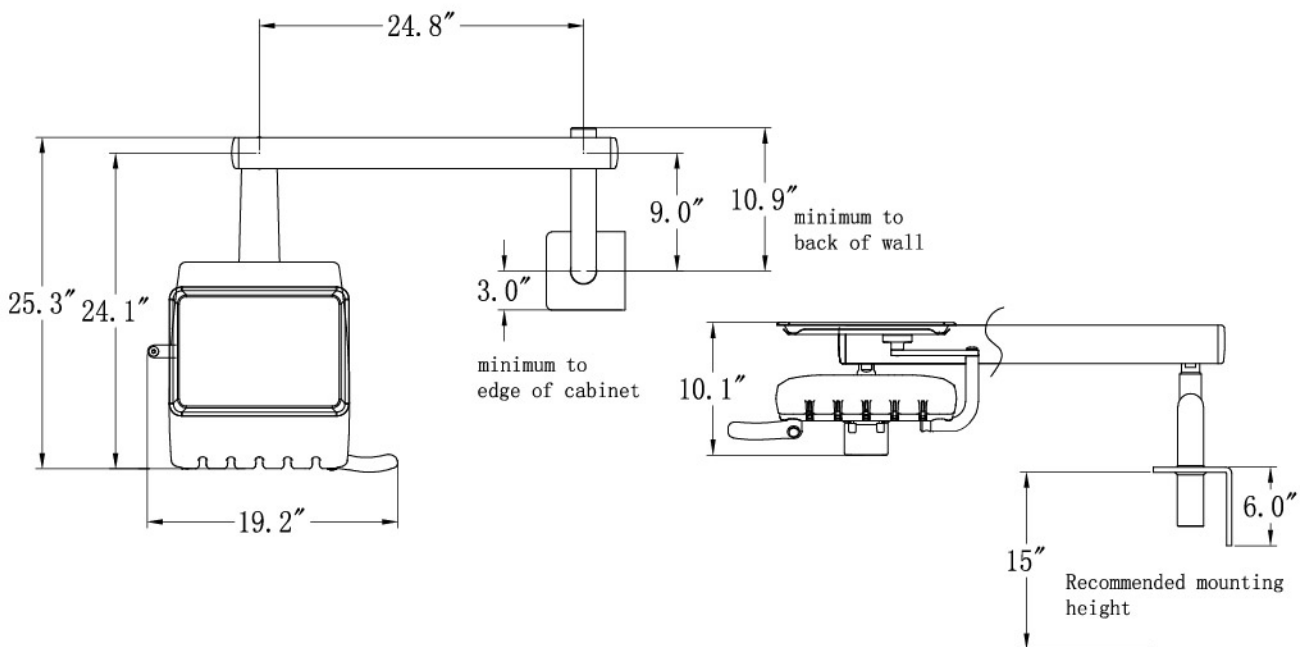
Beyond luxury dentist's control head,
 Cast aluminium delivery head base,
 double pivot delivery head,
 with 3 auto H.P. control,
 Individual water coolant controls,
 Master handpiece air coolant adjustment,
 Asepsis handpiece tubing,
 Master on/off switch,
 1 doctor syringe,
 Wet/Dry foot control,
 Stainless steel tray with non-slip pad,
 Flex arm air brake switch,
 24" rigid arm, 2" diameter post mount clamp
 air/water filters, regulators, master shut-off valves
 City water/bottled system

Part number: **A0502552**

Retail Price **\$3,022**

Dimensions

Unit: inch



Options

A121532	HP Fiber optic system with 1 tubing (6 pin)	-----	\$352
A121533	HP Fiber optic system with 2 tubings (6 pin)	-----	\$504
A120401	Built-in scaler	-----	\$604
A101502	Classic Junction box case with metal frame	-----	\$90
A101602	Beyond Junction box case with alumium frame	-----	\$126
A121534	Electric handpiece motor	-----	\$2332
8018895	Additional 4th handpiece tubing	-----	\$198
	for Beyond dentist's control		
A121963	Bien Air MCX Built In System	-----	Call For Price

Packing Dimensions (L*W*H) Weight

Beyond cabinet/wall side mount doctor's delivery system : 38.6 lbs.
 46.5*36.8*21.9"

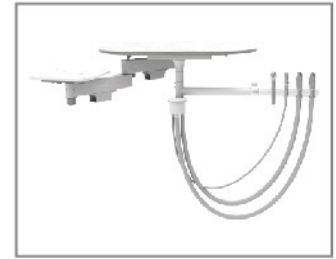


Rear delivery unit with arm and table

(cabinet not included)

Part number: **A0503542**

Retail Price **\$3,842**



Cabinet mount rear assistant vacuum pkg with table

(cabinet not included)

Part number: **A0341301**

Retail Price **\$2,078**



Under Cabinet Arm System

Part number: **A0503543**

Retail Price **\$820**



Work Surface

Part number: **8025420**

Retail Price **\$392**



Under Counter Mounting Plate

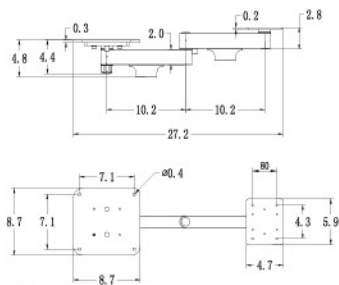
Part number: **8025423**

Retail Price **\$114**

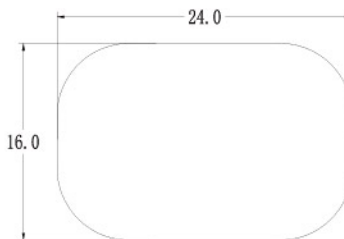
Dimensions

Unit: inch

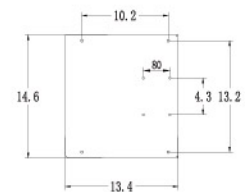
Under Cabinet Arm System



Starboard Work Surface



Under Counter Mounting Plate



Options

A121532	HP Fiber optic system with 1 tubing (6 pin)	-----	\$352
A121533	HP Fiber optic system with 2 tubings (6 pin)	-----	\$504
A120401	Built-in scaler	-----	\$604
A101502	Classic Junction box case with metal frame	-----	\$90
A101602	Beyond Junction box case with aluminum frame	-----	\$126

Packing Dimensions (L*W*H)

38*28*20"

Weight

21 lbs.



Cabinet mount rear left/right swing delivery system

Standard Features

Left/right swing dentist's control and assistant vac pac, Easy maintain slide out unit case, 3 auto H.P. control, Individual water coolant controls, Master handpiece air coolant adjustment, Asepsis handpiece tubing, Master on/off switch, 1 doctor syringe, Wet/Dry foot control, 7" umbilical air/water filters, regulators, master shut off valves City water/bottled system

Part number: **A0503540**
Retail Price **\$2,520**



Cabinet mount rear left/right swing doctor's control

Left/right swing dentist's control and assistant vac pac, Slide out unit case, 3 auto H.P. control, Individual water coolant controls, Master handpiece air coolant adjustment, Asepsis handpiece tubing, Master on/off switch, 1 doctor syringe, Wet/Dry foot control, 7" umbilical air/water filters, regulators, master shut-off valves City water/bottled system

Part number: **A0503541**
Retail Price **\$1,764**



Cabinet mount rear assistant vacuum package

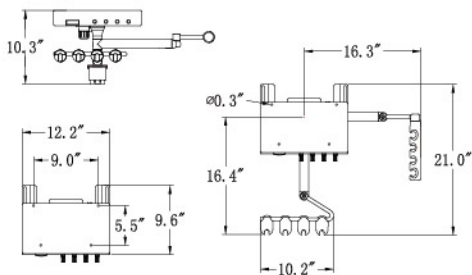
Swing assistant vac pac, 2HVE, 1SE, 1 Syringe, Solid collector

Part number: **A0341300**
Retail Price **\$756**

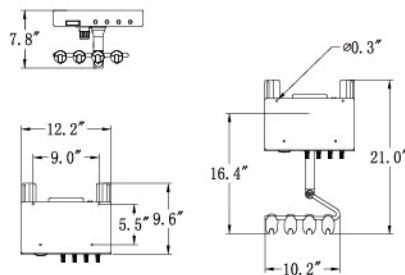
Dimensions

Unit: inch

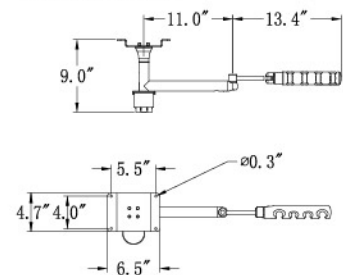
Cabinet mount rear left/right swing delivery system



Cabinet mount rear left/right swing doctor's control



Cabinet mount rear assistant vacuum package



Options

A121532	HP Fiber optic system with 1 tubing (6 pin)	-----	\$352
A121533	HP Fiber optic system with 2 tubings (6 pin)	-----	\$504
A120401	Built-in scaler	-----	\$604
A101502	Classic Junction box case with metal frame	-----	\$90
A101602	Beyond Junction box case with aluminum frame	-----	\$126

Packing Dimensions (L*W*H)	Weight
Cabinet mount rear left/right swing delivery system : 21.6*17.7*9.5"	39.7 lbs.
Cabinet mount rear left/right swing doctor's control : 21.6*17.7*9.5"	22.1 lbs.
Cabinet mount rear assistant vacuum package : 21.6*17.7*9.5"	11 lbs.



Rear Duo swing delivery system

(cabinet not included)

Standard Features

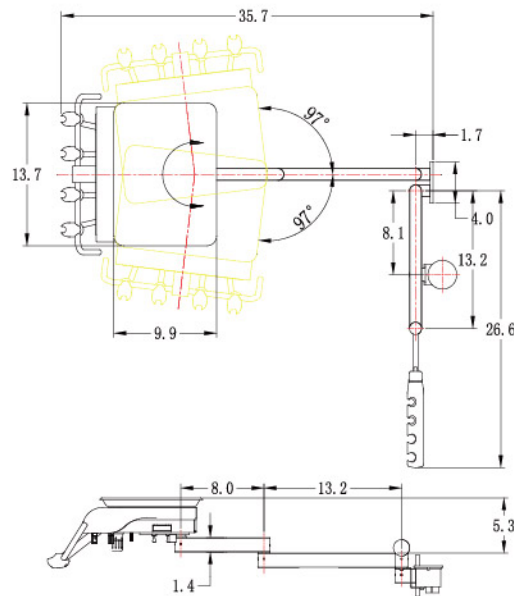
Classic dentist's control head with 3 auto H.P. control,
 Individual water coolant controls,
 Master handpiece air coolant adjustment,
 Asepsis handpiece tubing,
 Master on/off switch, 1 doctor syringe,
 Wet/Dry foot control,
 Stainless steel tray with non-slip pad,
 Flex arm air brake switch
 Solids collector, 2 HVE, 1SE, 1 syringe
 City water/bottled system

Part number: **A0502525**

Retail Price **\$2,896**

Dimensions

Unit: inch



Options

A121532	HP Fiber optic system with 1 tubing (6 pin)	\$352
A121533	HP Fiber optic system with 2 tubings (6 pin)	\$504
A120401	Built-in scaler	\$604
A101502	Classic Junction box case with metal frame	\$90
A101602	Beyond Junction box case with aluminum frame	\$126
A121534	Electric handpiece motor	\$2332
A121963	Bien Air MCX Built In System	Call For Price

Packing Dimensions (L*W*H) Weight

Cabinet mount delivery system	46.1*32.8*20.9"	24.3 lbs.
-------------------------------	-----------------	-----------



Mobile Cart

Standard Features

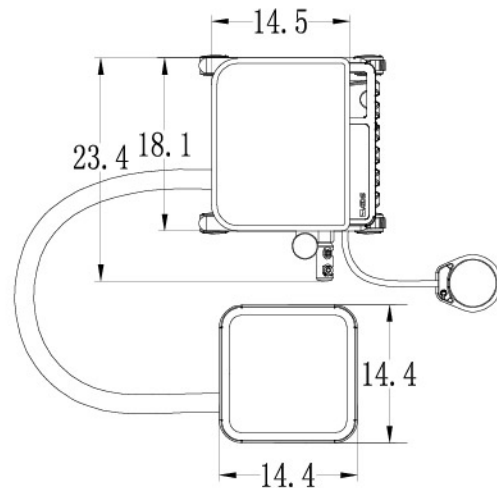
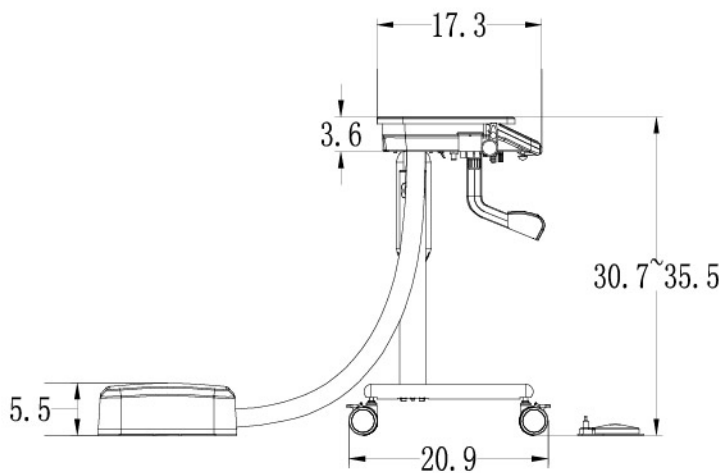
Spacious tray with autoclavable silicon pad
 3 auto H.P hoses control,
 2 HVE, 1SE, 2 syringe
 Individual water coolant controls,
 Master handpiece air coolant adjustment,
 Asepsis handpiece tubing,
 Master on/off switch, Wet/Dry foot control,
 Junction box and valves, 5' umbilical
 City water/bottled system

Part number: **A0504551**

Retail Price **\$2,142**

Dimensions

Unit: inch



Options

A121532	HP Fiber optic system with 1 tubing (6 pin)	\$352
A121533	HP Fiber optic system with 2 tubings (6 pin)	\$504
A120401	Built-in scaler	\$604
A101502	Classic Junction box case with metal frame	\$90
A101602	Beyond Junction box case with aluminum frame	\$126
A121534	Electric handpiece motor	\$2332
A121963	Bien Air MCX Built In System	Call For Price

Packing Dimensions (L*W*H) Weight

Mobile Cart :
 19.6*19.4*33.9" 70.6 lbs.



TI-014 Mobile Cart

Standard Features

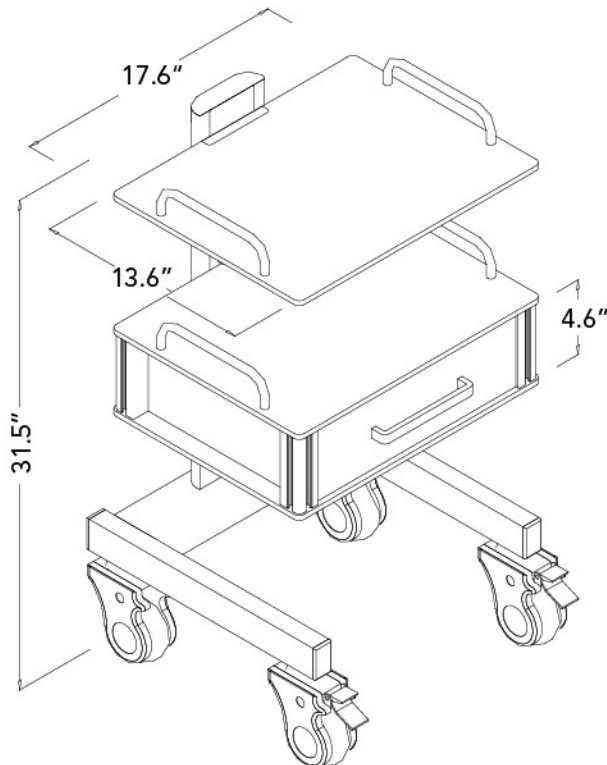
- 10A universal socket X2
- External power supply X1
- Storage drawer X1
- 4 inch noiseless medical wheels

Part number: **A0504555**

Retail Price **\$980**

Dimensions

Unit: inch



Packing Dimensions (L*W*H)	Weight
TI-014 Mobile Cart: 19.7*17.7*36.2"	55 lbs.



TN-035 Mobile Cart

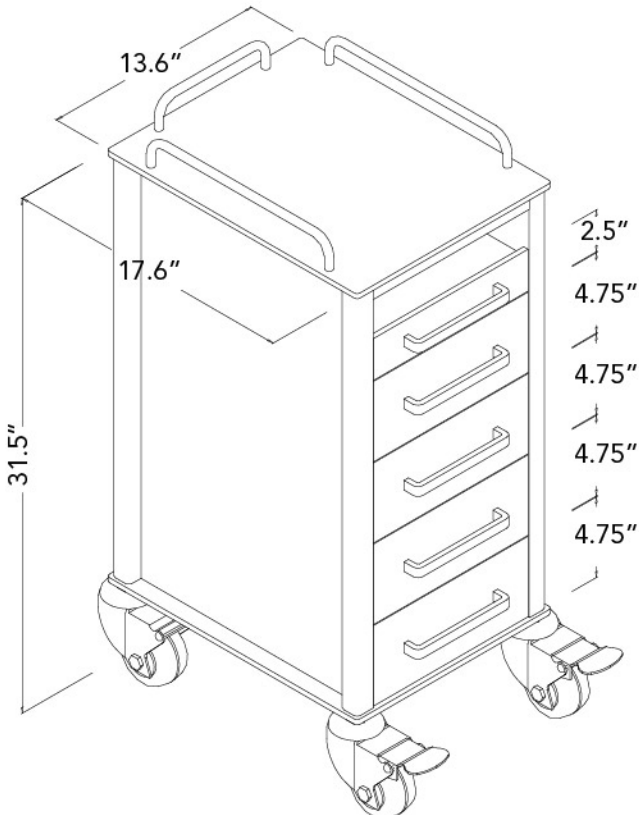
Standard Features

- Semi-open drawer X1
- Storage drawer X4
- 4 inch noiseless medical wheels

Part number: **A0504556**
Retail Price **\$996**

Dimensions

Unit: inch



Packing Dimensions (L*W*H)	Weight
TN-035 Mobile Cart: 21.7*16.5*35.8"	79.3 lbs.



LEO 8'/9'/10' Ceiling mount LED Dental Surgical Light

- Part number: **A0601651** 8' Ceiling mount **\$6,064**
- A0601652** 9' Ceiling mount **\$6,064**
- A0601653** 10' Ceiling mount **\$6,064**

LEO Mobile LED Dental Surgical Light

- Part number: **A0605651**
- Retail Price **\$6,064**

Specifications:

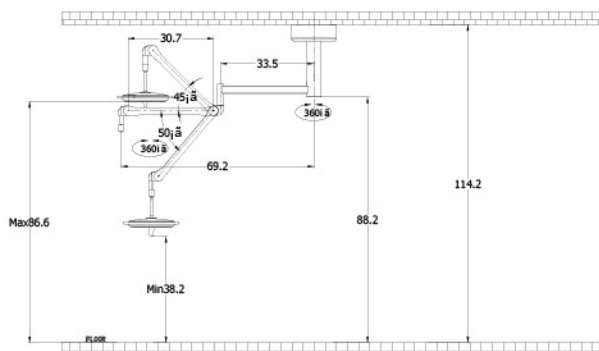
- Illuminance: 30,000-120000lux
- Color rendering index: $\geq 92Ra$
- Color temperature: $4000 \pm 500k$
- Spot diameter: $3.94in \leq d \leq 9.84in$
- Length of light: $\geq 70in$
- Ceiling static load: 330 lbs
- Floor height: $\geq 9.52ft$
- Light height adjustment range: 38.2in-86.6in

- Illuminance: 30,000-120000lux
- Color rendering index: $\geq 92Ra$
- Color temperature: $4000 \pm 500k$
- Spot diameter: $3.94in \leq d \leq 9.84in$
- Length of light: $\geq 70in$
- Floor height: $\geq 9.52ft$
- Light height adjustment range: 29.5in-77.0in

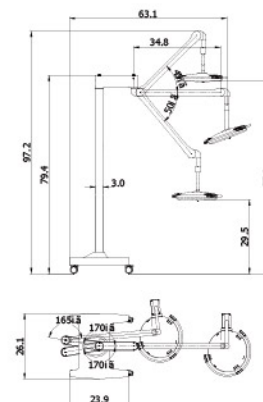
Dimensions

Unit: inch

LEO Ceiling mount LED Dental Surgical Light



LEO Mobile LED Dental Surgical Light





Libra 8'/9'/10' Ceiling mount LED Dental Light

- Part number: **A0601641** 8' Ceiling mount **\$3,382**
- A0601642** 9' Ceiling mount **\$3,382**
- A0601643** 10' Ceiling mount **\$3,382**



Libra Mobile LED Dental Light

- Part number: **A0605641**
- Retail Price **\$3,382**

Specifications:

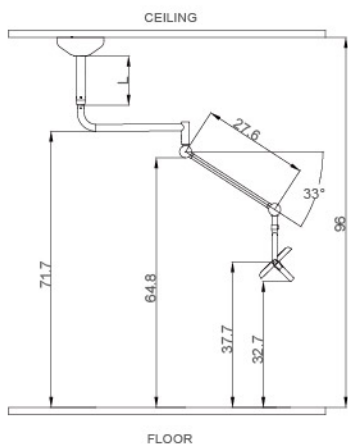
- Illuminance: 17,500-70000lux
- Color rendering index: $\geq 90Ra$
- Color temperature: 4000 \pm 500k
- Spot diameter: 3.94in \leq d10 \leq 9.84in
- Length of light: ≥ 70 in
- Ceiling static load: 140lbs
- Floor height: ≥ 9.52 ft
- Light height adjustment range: 55in-106in

- Illuminance: 17,500-70000lux
- Color rendering index: $\geq 90Ra$
- Color temperature: 4000 \pm 500k
- Spot diameter: 3.94in \leq d10 \leq 9.84in
- Length of light: ≥ 70 in
- Floor height: ≥ 9.52 ft
- Light height adjustment range: 36in-86in

Dimensions

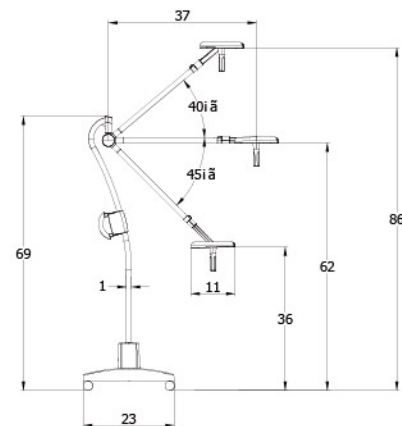
Unit: inch

Libra Ceiling mount LED Dental Light



The size of "L" depend on the height of the room

Libra Mobile LED Dental Light



Whale

LED Dental Operating Light

Standard Features

- Non-touch sensor for ON/OFF and dimming;
- Confident adjustment of the light beam
- High quality LED driven by state of art IC;
- Aluminum casting shell as the main heat sink;
- 30,000 hours expected service life guaranteed
- LED sensor light with 3 level adjustment,
- 4 spot LED bulbs,
- Defined rectangular light pattern,
- Three-axis head rotation,
- AC24V,
- Illuminance from 8000-25000 lux,
- Color temperature: 5000-5500k,
- Power consumption:<15W

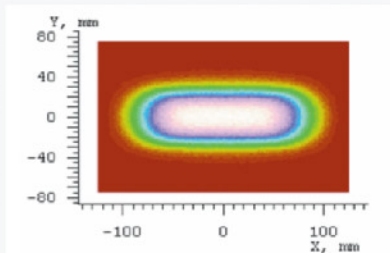


Whale LED Light head

Part number: A121709

Retail Price \$568

Comfortable vision under Whale color and intensity uniform light pattern



Smooth & accurate movement



Easy to clean



Whale LED Light



Whale LED Light with arm and bushing

Part number: A0600600

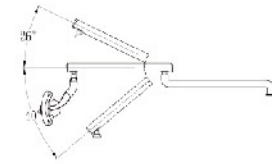
Retail Price \$820

Packing Dimensions (L*W*H): 31.1*18.1*7.1"

Weight: 14.3 lbs.

Dimensions

Unit: inch



Post mount Whale LED Dental Light 30"/40"

Part number: Retail Price

30" Post mount

A0602600 \$1,008

40" Ortho Post mount

A0602602 \$1,070

Packing Dimensions (L*W*H):

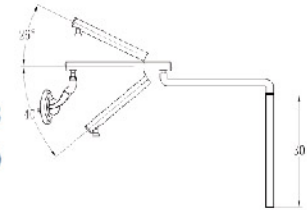
30"/40"Light: 31.1*18.1*7.1"

40"Post: 40.9*2.7*2.7"

Weight: 30" Light: 16.5 lbs

40" Light: 17 lbs

40" Post: 7 lbs



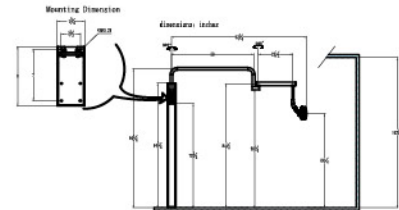
Cabinet mount Whale LED Dental Light (cabinet not included)

Part number: A0601604

Retail Price \$2,016

Packing Dimensions (L*W*H):62*10*30"

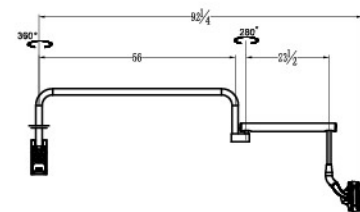
Weight:36 lbs



Wall mount Whale LED Dental Light

Part number: Retail Price

A0606600 \$2,208



Ceiling mount Whale LED Dental Light

8'/9'/10' Ceiling mount
Whale LED Dental Light

Packing Dimensions (L*W*H):

Ceiling Light:35*13*9.6"

Weight:

33 lbs

Part number:

A0601601 8' Ceiling mount

Retail Price

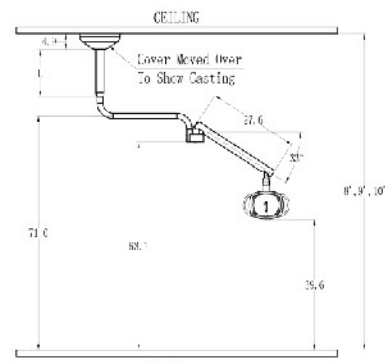
\$1,638

A0601602 9' Ceiling mount

\$1,638

A0601603 10' Ceiling mount

\$1,638



Post length recommendations:
8 Post story height: 1-10"
9 Post story height: 1-27 1/2"
10 Post story height: 1-42"

Amber

LED Dental Operating Light

Standard Features

- Power input: AC24V
- Illuminance: 8000-30000 lux
- Color temperature: 5000-5700k
- Power consumption: < 10W

Amber LED Light head

Part number: **A121714**

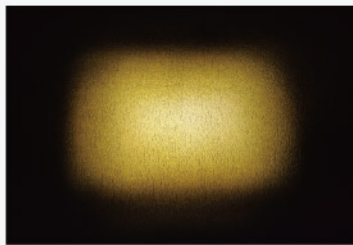
Retail Price **\$820**



LED sensor light with 3 level adjustment



Easy switch of 2 operating modes through sensor; Composite mode provides yellow illumination



Adjust color temperature through a knob switch



3 axis head rotation



Amber LED Light

Dimensions

Unit: inch



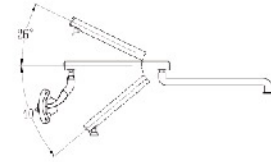
Amber LED Light with arm and bushing

Part number: A0600630

Retail Price \$1,070

Packing Dimensions (L*W*H): 31.1*18.1*7.1"

Weight: 14.3 lbs.



Post mount Amber LED Dental Light 30"/40"

Part number: Retail Price

30" Post mount

A0602630 \$1,260

40" Ortho Post mount

A0602632 \$1,322

Packing Dimensions (L*W*H):

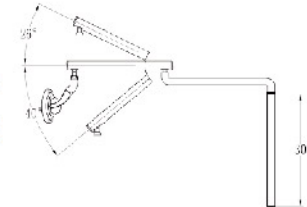
Weight: 30" Light: 16.5 lbs

30"/40"Light: 31.1*18.1*7.1"

40" Light: 17 lbs

40"Post: 40.9*2.7*2.7"

40" Post: 7 lbs



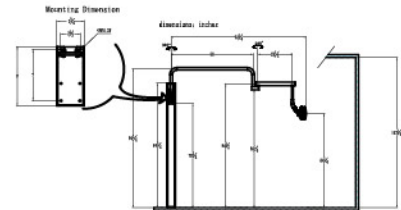
Cabinet mount Amber LED Dental Light
(cabinet not included)

Part number: A0601634

Retail Price \$2,268

Packing Dimensions (L*W*H):62*10*30"

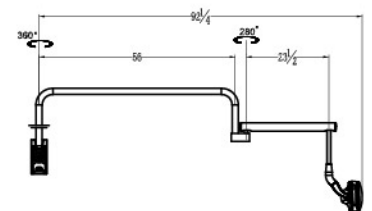
Weight:36 lbs



Wall mount Amber LED Dental Light

Part number: Retail Price

A0606630 \$2,460



Ceiling mount Amber LED Dental Light

8'/9'/10' Ceiling mount
Amber LED Dental Light

Packing Dimensions (L*W*H):

Ceiling Light:35*13*9.6"

Weight:

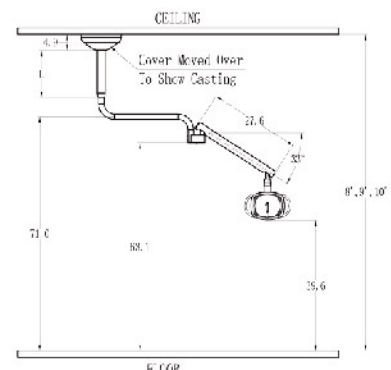
33 lbs

11 lbs

Part number: Retail Price
A0601631 8' Ceiling mount \$1,890

A0601632 9' Ceiling mount \$1,890

A0601633 10' Ceiling mount \$1,890



Post length between ceiling:
8 Feet sloopy angle... L=16"
9 Feet sloopy angle... L=27 1/2"
10 Feet sloopy angle... L=40"



Bien Air MCX Built In System

Part number: **A121963**
Call For Price



Standard Features

To ensure the micromotor offers a longer service life, the DMCX electronic control has built-in automatic regulation to prevent overheating. The MCX's motor phases and light output are protected against short circuits. Just like its big brother, the MX2 micromotor, the MCX micromotor is designed to withstand the harshest treatment. Superior expertise in brushless technology combined with the very strictest manufacturing processes are a given. Thanks to its ball-bearings, which are lubricated for life, the MCX is sterilisable and yet maintenance-free. The result is even better hygiene and usage conditions, combined with very low maintenance costs.

Technical Data

Speed range	1,000–40,000 rpm
Max. torque	2.5 Ncm
Dimensions	Ø 21 x 42 mm
Weight	78 g
Interfaces	RS-232, analog I/O
Light	No
Autoclavable	YES
Hose mounting/rotation	Screw / 0°
Warranty	24 months

The Advantages Of Brushless Technology Available To All

- Autoclavable
- No wear
- Longevity
- Low maintenance costs
- Ultra-precise control
- Stepless, vibration-free
- High and constant torque
- Endo applications possible (MX, MX2)

HP Fiber optic system with 1 tubing (6 pin)

Part number: **A121532**

Retail Price **\$352**



HP Fiber optic system with 2 tubings (6 pin)

Part number: **A121533**

Retail Price **\$504**



Touch Pad for Classic delivery tray

Part number: **A121712**

Retail Price **\$454**



Touch Pad for Beyond delivery tray

Part number: **A121713**

Retail Price **\$454**



Touch Pad for AJ12/ AJ15/AJ16/AJ17 Chair

Part number: **A121711**

Retail Price **\$454**



Built-in curing light

Part number: **A120301**

Retail Price **\$454**



Built-in scaler

Part number: **A120401**

Retail Price **\$604**



Scaler Tips

Part number: **7001018**

Retail Price **\$130/5pcs**



Chair Adapter A

For AJ17 Pedo chair

Part number: **A11201**

Retail Price **\$378**



Chair Adapter B

For AJ12 Chair/AJ19 Pedo chair
AJ15 chair/ AJ16 orthodontic chair/
Connect with Classic 100/Classic101

Part number: **A11202**

Retail Price **\$378**



Chair Adapter C

For AJ16 Chair/Connect
with Beyond300/
Beyond301

Part number: **A11203**

Retail Price **\$378**



Chair Adapter D

Chair adapter
For Classic200/
Beyond400

Part number: **A11204**

Retail Price **\$378**



Continental Post mount dentist's control

Part number: **A0502530**

Retail Price **\$3,148**



Continental Swing mount dentist's control

Part number: **A0502531**

Retail Price **\$3,778**



Swing mounted monitor arm and bracket

Part number: **A11302**

Retail Price **\$604**



ADS Post mount Monitor bracket

Part number: **A120501**

Retail Price **\$604**



Assistant arm for Classic200/Beyond400

Part number: **A121507**
Retail Price **\$234**



Assistant tray without touchpad for Classic200

Part number: **A121508**
Retail Price **\$234**



Male Quick Disconnect

1/4" Male QD

Part number: **A121529**
Retail Price **\$20**



Female Quick Disconnect

Part number: **A121511**
Retail Price **\$18**



Water Flow Control Valve

Part number: **8012115**
Retail Price **\$16**



Assistant tray with touchpad for Beyond400

Part number: **A121528**
Retail Price **\$676**



Assistant tray For Beyond300/ Beyond301

Part number: **A121513**
Retail Price **\$618**



Assistant arm For Beyond300/ Beyond301

Part number: **A121515**
Retail Price **\$234**



Post Mount Tele-Arm/ Hanger Assembly For Classic100/Classic 101

Part number: **A0311301**
Retail Price **\$234**



Surface/Side Mount Swing holders For Classic100/Classic101

Part number: **A121502**
Retail Price **\$94**



Folding arm sections For Classic100/Classic 101

9" length

Part number: **A121503**
Retail Price **\$100**



Surface Mount Swing Connecting Bar For Classic100/Classic101

Part number: **A121504**
Retail Price **\$112**



2" Post Mount Clamp Bracket For Classic100/Classic 101

Part number: **A121505**
Retail Price **\$54**



HVE valve with tubing

67" length,
Inner diameter: 7/16"

Part number: **A121907**

Retail Price **\$58**



Autoclavable High Vacuum Valve (Long)

Part number: **8012856A**

Retail Price **\$42**



HVE asepsis tubing

Inner diameter: 7/16"

Part number: **A121908**

Retail Price **\$10/ft**



Autoclavable High Vacuum Valve (Short)

Part number: **A121909**

Retail Price **\$38**



SE valve with tubing

67" length,
Inner diameter: 3/16"

Part number: **A121911**

Retail Price **\$56**



Autoclavable Saliva Ejector Valve

Part number: **8012859**

Retail Price **\$32**



SE asepsis tubing

Inner diameter: 3/16"

Part number: **A121912**

Retail Price **\$10/ft**



Vacuum screen

O.D 2-1/8" traps

Part number: **A121613**

Retail Price **\$54 each package of 100**



Vacuum Canister, Side Port

O.D 2-1/8" traps

Part number: **A121451**

Retail Price **\$38**



Vacuum Canister, Bottom Port

5/8 O.D.DRAIN

Part number: **A121609**

Retail Price **\$38**



Three way syringe with tube

Part number: **A121903**

Retail Price **\$82**



Three way syringe

Part number: **8011428**

Retail Price **\$58**



Umbilical of Classis 100



Part number: **A121915**

Retail Price **\$38/ft**

Umbilical of Classis 101



Part number: **A121916**

Retail Price **\$38/ft**

Umbilical of Classic200/ Beyond400



Part number: **A121902**

Retail Price **\$38/ft**

Umbilical of Beyond300/ Beyond301



Part number: **A121901**

Retail Price **\$38/ft**

Umbilical of Classis 201/ Beyond401



Part number: **A121918**

Retail Price **\$38/ft**

4 Hole HP Straight Asepsis Assembled



Part number: **A121536**

Retail Price **\$28/ft**

Oil trap



Part number: **A121614**

Retail Price **\$12**

2" Vacuum Line



Part number: **A121439**

Retail Price **\$8/ft**

Water Bottle 1.5L

Pressure head with standard thread



Part number: **A121441**

Retail Price **\$28**

Quick disconnect adapter for water bottle



Part number: **A121440**

Retail Price **\$106**

Pressure Head Assembly for water



Part number: **A121442**

Retail Price **\$36**

On/off Toggle valve



Part number: **A121443**

Retail Price **\$16**

2-way selector valve



Part number: **A121444**

Retail Price **\$36**

Mini Adjustable Regulator with 10-32 Outlet



Part number: **A121445**

Retail Price **\$30**

Water bottle cover for Classic200/ Beyond400



Part number: **A121446**

Retail Price **\$36**

Water bottle cover for Beyond300/ Beyond301



Part number: **A121447**

Retail Price **\$36**

**2" Pressure Gauge for side box
for Classic100/Classic101/
Beyond300/Beyond301**



Part number: **8023635**
Retail Price **\$42**

**1" Pressure Gauge for clean water
for Classic200/
Beyond400**



Part number: **8012787**
Retail Price **\$34**

**Asepsis
Syringe Hanger**

Part number: **8018838**
Retail Price **\$18**



**Asepsis
Handpiece Hanger**

Part number: **8018835**
Retail Price **\$34**



**Asepsis
Scaler Hanger**

Part number: **8022459**
Retail Price **\$34**



Cuspidor set

Part number: **A121428**
Retail Price **\$584**



Upper cover of cuspidor

Part number: **A121435**
Retail Price **\$64**



Bowl rinsing pipe

Part number: **A121436**
Retail Price **\$36**



Cup filling pipe

Part number: **A121437**
Retail Price **\$36**



Ceramic cuspidor bowl

Part number: **8019048**
Retail Price **\$118**



Spout Valve

Part number: **A121431**
Retail Price **\$12**



**Push Button Monertang
2-way Valves**

Part number: **8019453**
Retail Price **\$20**



Bowl Rinse Relay Assy

Relay Valve
Cross Connector
Needle Flow Valve

Part number: **A121433**
Retail Price **\$50**



Shuttle Valve

1/8" barbs

Part number: **A121434**
Retail Price **\$14**



Cuspidor strainer

Part number: **A121438**
Retail Price **\$54 each package of 100**



**Foot Control
Wet/Dry**

Part number: **A121601**
Retail Price **\$112**


**Foot control tubing
118"**

Part number: **A121917**
Retail Price **\$38**


Foot control valve

Part number: **8022690**
Retail Price **\$36**


Replacement Toggle Assembly

Part number: **8022921**
Retail Price **\$22**


**Flow Adjustable
Manifold**

Part number: **A121604**
Retail Price **\$20**


**3 way HP
control blocks**

Part number: **8011086**
Retail Price **\$114**


**Hexagon
Water Relay**

Part number: **8011029**
Retail Price **\$36**


**Air electric
switch**

Part number: **8011026**
Retail Price **\$14**


Rectangular Gauge

Part number: **8012211**
Retail Price **\$36**


Check Valve, Brass

Part number: **8017002**
Retail Price **\$12**


Master Shut-Off Valve Assembly

Includes air /
water valved 1/8" & 1/4" compression tube
Includes pressure regulator
Includes pressure gauge

Part number: **A121616**
Retail Price **\$222**


**Economy Filter/
Reg Master Shut-off
Air Assembly**

Part number: **A121611**
Retail Price **\$106**


**Economy Filter/
Reg Master Shut-off
Water Assembly**

Part number: **A121610**
Retail Price **\$106**



Light arm (1.72kg)

Part number: **A121516**

Retail Price **\$234**



Compass arm

Part number: **A121535**

Retail Price **\$350**



Light arm bushing for 2" post

Outer diameter:1-3/8"
Inner diameter:1-7/8"

Part number: **8017662**

Retail Price **\$24**



Post mount Flex arm system

Part number: **A121928**

Retail Price **\$ 876**



Rigid arm

Part number: **6007897**

Retail Price **\$ 408**



Flexible Arm

Part number: **6008614**

Retail Price **\$ 466**



Door of water unit

For Beyond300/Beyond301

Left door

Part number: **A121422**

Retail Price **\$70**

Right door

Part number: **A121423**

Retail Price **\$70**



AJ12/AJ17 Armrest

Left handrest

Part number: **A121426**

Retail Price **\$304**

Right handrest

Part number: **A121427**

Retail Price **\$304**



AJ15/AJ16 Armrest set

Part number: **A121424**

Retail Price **\$338**



Cover of AJ16 Armrest

Part number: **A121425**

Retail Price **\$12**



AJ16 Aluminium backrest

Part number: **8018247**

Retail Price **\$ 530**



AJ15 Metal backrest

Part number: **8019105**

Retail Price **\$ 436**



AJ12 Metal backrest

Part number: **8017164**

Retail Price **\$ 436**



Toe cover

Part number: **8008971**

Retail Price **\$ 54**



Pinch style headrest bracket for AJ15/AJ16 Chair

Part number: **6010009**
Retail Price **\$326**



Knob style headrest bracket for AJ12/AJ17/AJ19 Chair

Part number: **8017905B**
Retail Price **\$280**



Tray holder of beyond delivery unit

Part number: **A121525**
Retail Price **\$176**



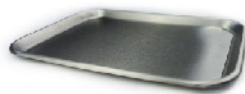
Beyond delivery unit cover

Part number: **8021625**
Retail Price **\$114**



Stainless Steel Tray

Part number: **8021865A**
Retail Price **\$46**



Plastic cover of Classic delivery tray

Part number: **8018841E**
Retail Price **\$106**



Metal Assistant Bracket

Part number: **8015238**
Retail Price **\$94**



Washer of ϕ 28* ϕ 18*t2

Part number: **8013687**
Retail Price **\$24 each package of 10**

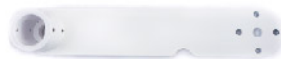


Chair adapter



Adapter A
For AJ17 Pedo chair

Part number: **A11201**
Retail Price **\$378**



Adapter B
For AJ12 Chair/AJ19 Pedo chair
AJ15 chair/ AJ16 orthodontic chair/
Connect with Classic 100/Classic101

Part number: **A11202**
Retail Price **\$378**



Adapter C
For AJ16 Chair/Connect
with Beyond300/
Beyond301

Part number: **A11203**
Retail Price **\$378**



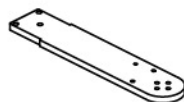
Adapter D
Chair adapter
For Classic200/
Beyond400

Part number: **A11204**
Retail Price **\$378**



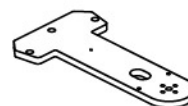
Adapter E
Chair adapter
For Classic201/
Beyond401

Part number: **A11206**
Retail Price **\$466**



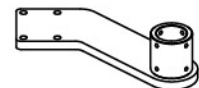
Adapter F
Swing rear adapter
for Bel20

Part number: **A11205**
Retail Price **\$378**



Adapter G
Swing adapter
for Bel20

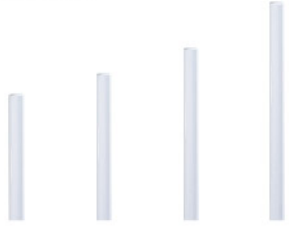
Part number: **A11207**
Retail Price **\$378**



Adapter H
OTP Post mount
adapter for Bel20

Part number: **A11208**
Retail Price **\$378**

Light post



Specification	Part number	Retail Price
24"x2"	A11124	\$198
30"x2"	A11130	\$210
40"x2"	A11140	\$222
48"x2"	A11148	\$234

Classic junction box case with metal frame

Part number: **A101502**
Retail Price **\$82**



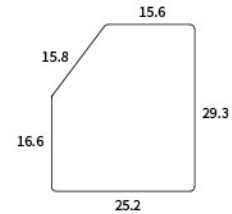
Beyond junction box case with aluminum frame

Part number: **A101602**
Retail Price **\$118**



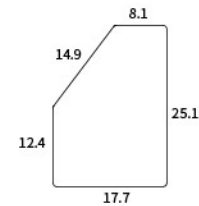
Soild surface table of OC-2 mobile cart color Artic

Part number: **8024487**
Retail Price **\$396**



Soild surface table of OC-3 mobile cart

Part number: **8025120**
Retail Price **\$396**



Backrest motor

Part number: **8017005B**
Retail Price **\$188**



Chair motor

Part number: **8016168A**
Retail Price **\$188**



Motor for telescoped backrest

Part number: **8019981A**
Retail Price **\$188**



Oil storage box

Part number: **A121612**
Retail Price **\$58**



Chair Hydraulic Cylinders

Part number: **8009952G**
Retail Price **\$292**



Backrest Hydraulic Cylinders

Part number: **8009955A**
Retail Price **\$280**



Gas spring

Part number: **8010687A**
Retail Price **\$52**



Hydraulic Solenoid Valve

Part number: **8013150A**
Retail Price **\$466**



Doctor Stool Cylinder

Part number: **8023500**
Retail Price **\$ 106**



Assistant Stool Cylinder

Part number: **8025525**
Retail Price **\$ 106**



D3 Doctor stool caster

Part number: **8024136**
Retail Price **\$ 42/5pcs**



N4 Assistant stool support set

Part number: **A121936**
Retail Price **\$ 152**



Hydraulic Pump

Part number: **A121615**
Retail Price **\$606**



Oil tubing Length: 13.2"

Part number: **8015643A**
Retail Price **\$50**



Oil tubing Length: 19.7"

Part number: **8015622A**
Retail Price **\$54**



Oil tubing Length: 47.2"

Part number: **8015625A**
Retail Price **\$60**



Male Connector H02-C102(Brass)

Part number: **8015649A**
Retail Price **\$12**



Male Connector N03-C1025(Brass)

Part number: **8015646A**
Retail Price **\$14**



Elbow Fittings N06-L2025(Brass)

Part number: **8015640A**
Retail Price **\$16**



Elbow Fittings H03-L102(Brass)

Part number: **8015652A**
Retail Price **\$12**



**Touch Pad
For Classic delivery tray**

Part number: **A121712**
Retail Price **\$454**



**Touch Pad
For AJ12/AJ15/
AJ16/AJ17 Chair**

Part number: **A121711**
Retail Price **\$454**



**Touch Pad
For Beyond delivery tray**

Part number: **A121713**
Retail Price **\$454**



Circuit board of touch pad

Part number: **A121704**
Retail Price **\$140**



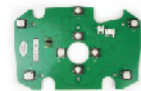
Chair Foot Pedal

Part number: **A121701**
Retail Price **\$408**



Circuit board of foot pedal

Part number: **A121702**
Retail Price **\$140**



**Hydraulic Chair main
board for AJ15 AJ16**

Part number: **A121705**
Retail Price **\$466**



**Electric motor chair Main board
for AJ12/AJ17/AJ19**

Part number: **A121706**
Retail Price **\$466**



**280W Transformer
for chair**

Part number: **A121707**
Retail Price **\$176**



**30VA Transformer
for AJ15 chair**

Part number: **A121708**
Retail Price **\$58**



Whale LED Light Bulb

Part number: **A121710**
Retail Price **\$42**



Built-in curing light

Part number: **A120301**
Retail Price **\$454**



Built-in scaler

Part number: **A120401**
Retail Price **\$604**



**HP Fiber optic system
with 1 tubing (6 pin)**

Part number: **A121532**
Retail Price **\$352**



**HP Fiber optic system
with 2 tubing (6 pin)**

Part number: **A121533**
Retail Price **\$504**



Fiber Optic Control Board

Part number: **A120101**
Retail Price **\$188**



Fiber Optic Tubing

Part number: **A120201**
Retail Price **\$140**

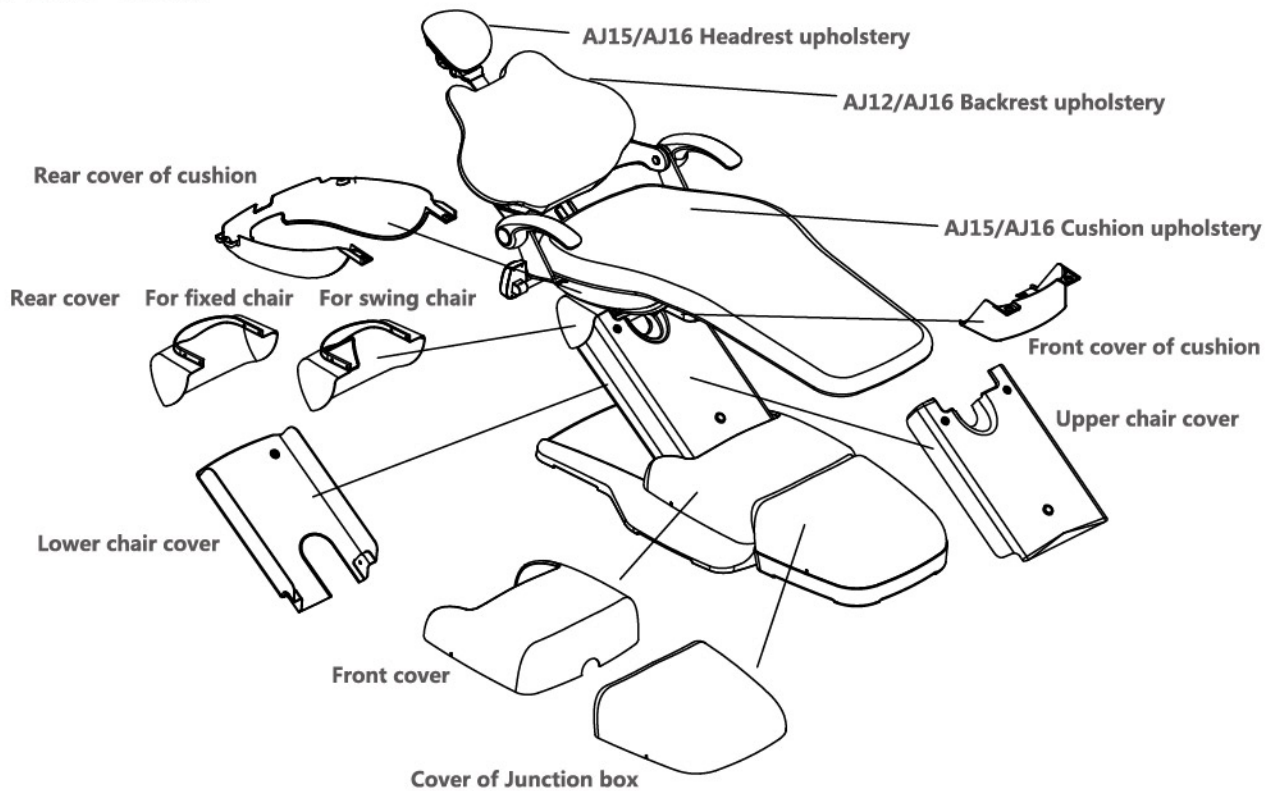


Power adapter

Part number: **7006478**
Retail Price **\$36**



AJ16 Chair



For AJ16 Chair

	Part number	Retail Price
Cover of Junction box For Beyond300/Beyond301/Beyond400	8017680A	\$90
Rear cover of cushion for AJ15/ AJ16	8022906A	\$168
Lower chair cover for AJ15, AJ16/ AJ19	8014323C	\$80
Upper chair cover for AJ15/ AJ16/ AJ19	8014332A	\$80
Front cover of cushion for AJ15/ AJ16	8014335A	\$64
Front cover for AJ16/ AJ19	8022864A	\$106
Rear cover For fixed chair for AJ15, AJ16, AJ19	8014326B	\$80
For swing chair for AJ15, AJ16	8015136B	\$80

Upholsteries

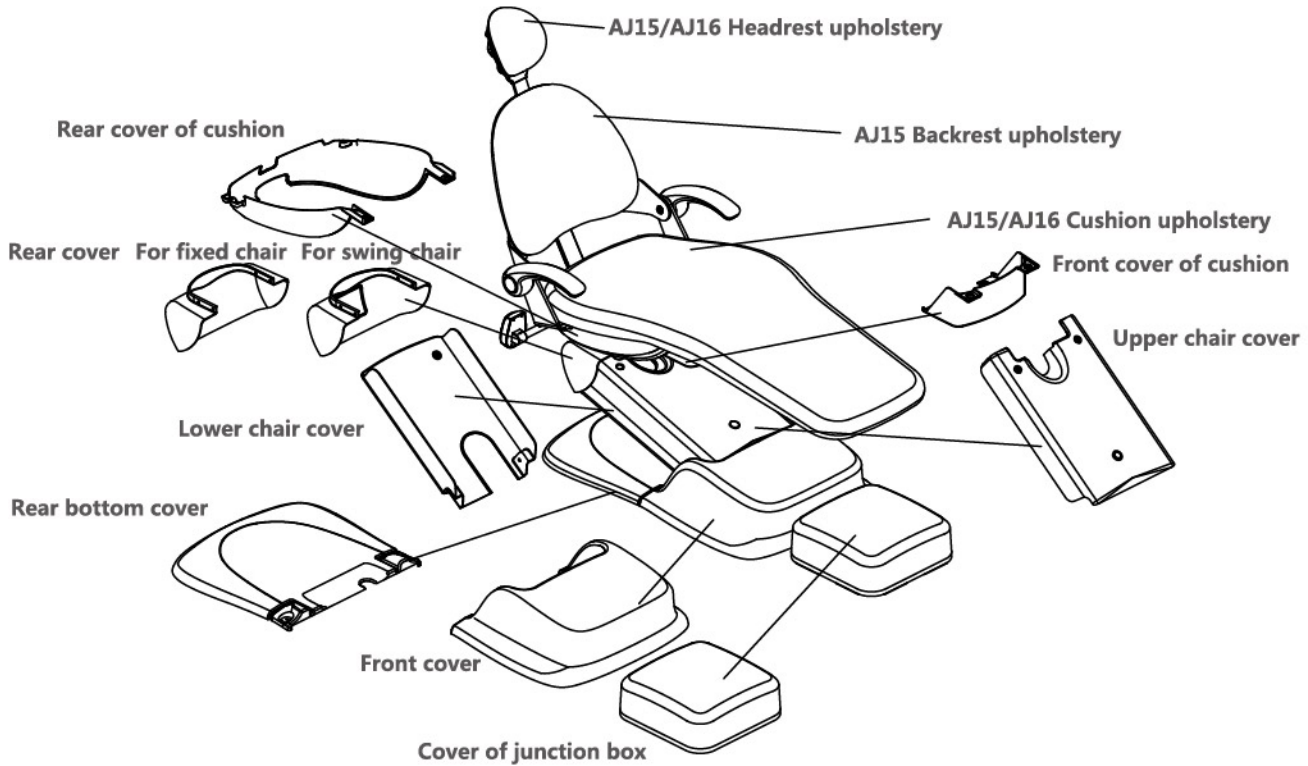
AJ12/AJ15/AJ16 Headrest upholstery		AJ12/AJ16 Backrest upholstery		AJ15/AJ16 Cushion upholstery	
Name	Part number	Name	Part number	Name	Part number
U1 Brown	8022030A	U1 Brown	8017476B	U1 Brown	8011791C
U2 Champagne	8022033A	U2 Champagne	8017893B	U2 Champagne	8011797C
U3 Blue	8021793A	U3 Blue	8017953B	U3 Blue	8011803C
U5 Grey	8022039A	U5 Grey	8017947B	U5 Grey	8011815C
U6 Cobalt Blue	8022042A	U6 Cobalt Blue	8017494B	U6 Cobalt Blue	8013015C
U7 Misty Grey	8022045A	U7 Misty Grey	8017908B	U7 Misty Grey	8018565C
U8 Orange	8022414A	U8 Orange	8017941B	U8 Orange	8016501C
U10 Wine Red	8022054A	U10 Wine Red	8017929B	U10 Wine Red	8015802C
U14 Black	8022435A	U14 Black	8022432A	U14 Black	8021910B

Retail Price **\$64**

Retail Price **\$252**

Retail Price **\$378**

AJ15 Chair



For AJ15 Chair

	Part number	Retail Price
Cover of Junction box For Classic100/Classic101/Classic200	8018985A	\$124
Rear cover of cushion for AJ15/ AJ16	8022906A	\$168
Lower chair cover for AJ15/ AJ16/ AJ19	8014323C	\$80
Upper chair cover for AJ15/ AJ16/ AJ19	8014332A	\$80
Front cover of cushion for AJ15/ AJ16	8014335A	\$64
Front cover for AJ15	8018979C	\$188
Rear bottom cover for AJ15	8018982C	\$136
Rear cover For fixed chair For AJ15/ AJ16/ AJ19	8014326B	\$80
For swing chair For AJ15/AJ16	8015136B	\$80

Upholsteries

AJ12/AJ15/AJ16 Headrest upholstery

Name	Part number
U1 Brown	8022030A
U2 Champagne	8022033A
U3 Blue	8021793A
U5 Grey	8022039A
U6 Cobalt Blue	8022042A
U7 Misty Grey	8022045A
U8 Orange	8022414A
U10 Wine Red	8022054A
U14 Black	8022435A

Retail Price **\$64**

AJ15 Backrest upholstery

Name	Part number
U1 Brown	8019147
U2 Champagne	8019165
U3 Blue	8019162
U5 Grey	8019159
U6 Cobalt Blue	8019141
U7 Misty Grey	8019156
U8 Orange	8019153
U10 Wine Red	8019168
U14 Black	8022516

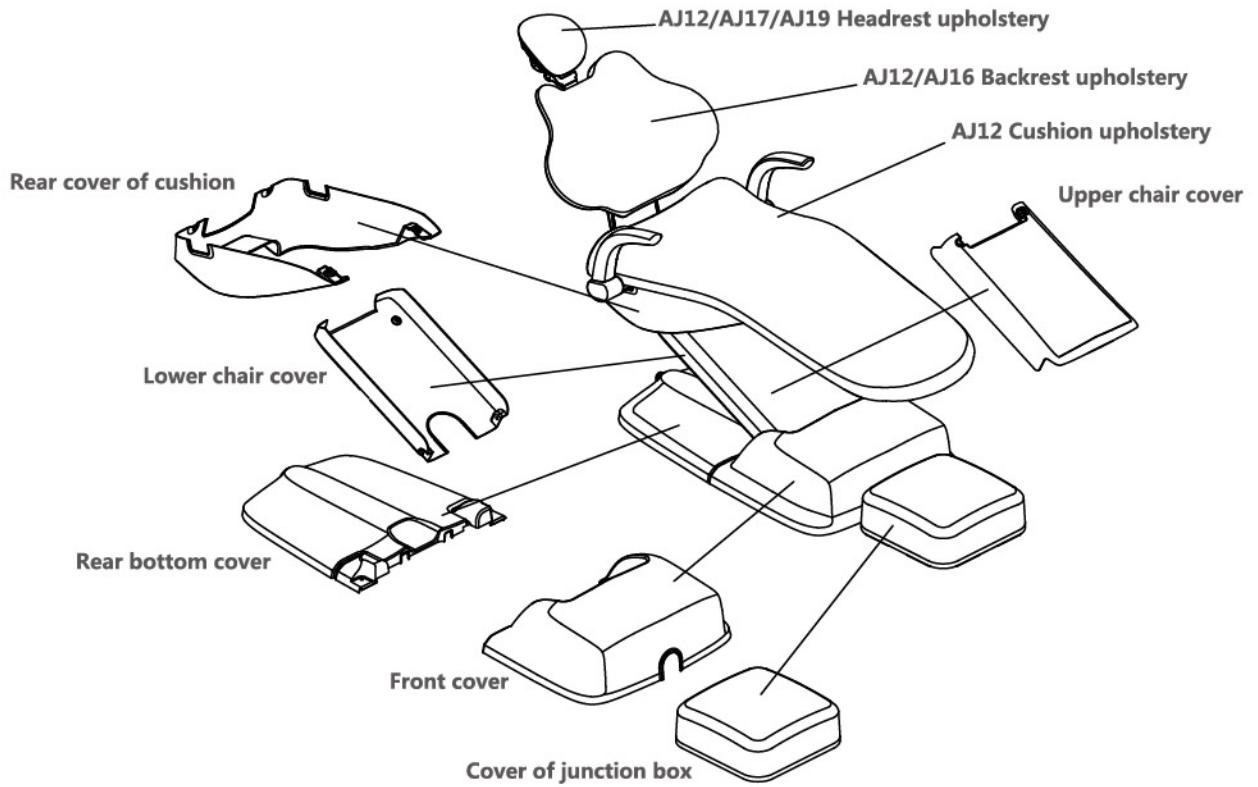
Retail Price **\$252**

AJ15/AJ16 Cushion upholstery

Name	Part number
U1 Brown	8011791C
U2 Champagne	8011797C
U3 Blue	8011803C
U5 Grey	8011815C
U6 Cobalt Blue	8013015C
U7 Misty Grey	8018565C
U8 Orange	8016501C
U10 Wine Red	8015802C
U14 Black	8021910B

Retail Price **\$378**

AJ12 Chair



For AJ12 Chair

	Part number	Retail Price
Cover of Junction box For Classic100/Classic101/Classic200	8018985A	\$124
Rear cover of cushion for AJ12	8020206D	\$184
Lower chair cover for AJ12	8017086A	\$68
Upper chair cover for AJ12	8017083A	\$68
Rear bottom cover for AJ12	8017089A	\$98
Front cover for AJ12	8020209C	\$168

Upholsteries

AJ12/AJ15/AJ16 Headrest upholstery

Name	Part number
U1 Brown	8022030A
U2 Champagne	8022033A
U3 Blue	8021793A
U5 Grey	8022039A
U6 Cobalt Blue	8022042A
U7 Misty Grey	8022045A
U8 Orange	8022414A
U10 Wine Red	8022054A
U14 Black	8022435A

Retail Price **\$64**

AJ12/AJ16 Backrest upholstery

Name	Part number
U1 Brown	8017476B
U2 Champagne	8017893B
U3 Blue	8017953B
U5 Grey	8017947B
U6 Cobalt Blue	8017494B
U7 Misty Grey	8017908B
U8 Orange	8017941B
U10 Wine Red	8017929B
U14 Black	8022432A

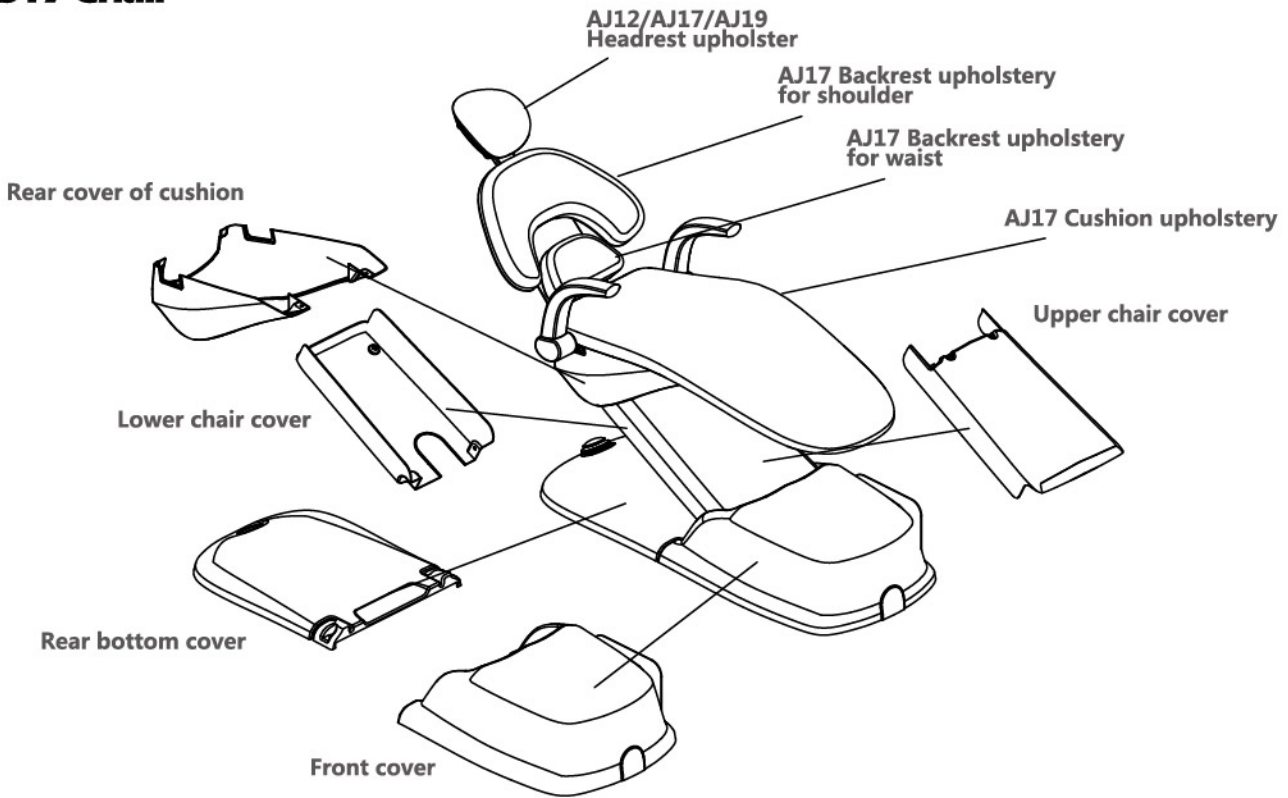
Retail Price **\$252**

AJ12 Cushion upholstery

Name	Part number	
U1 Brown	8017473	
U2 Champagne	8017896	
U3 Blue	8017956	
U5 Grey	8017950	
U6 Cobalt Blue	8017491	
U7 Misty Grey	8017911	
U8 Orange	8017944	
U10 Wine Red	8017932	
U14 Black	8022504	

Retail Price **\$378**

AJ17 Chair



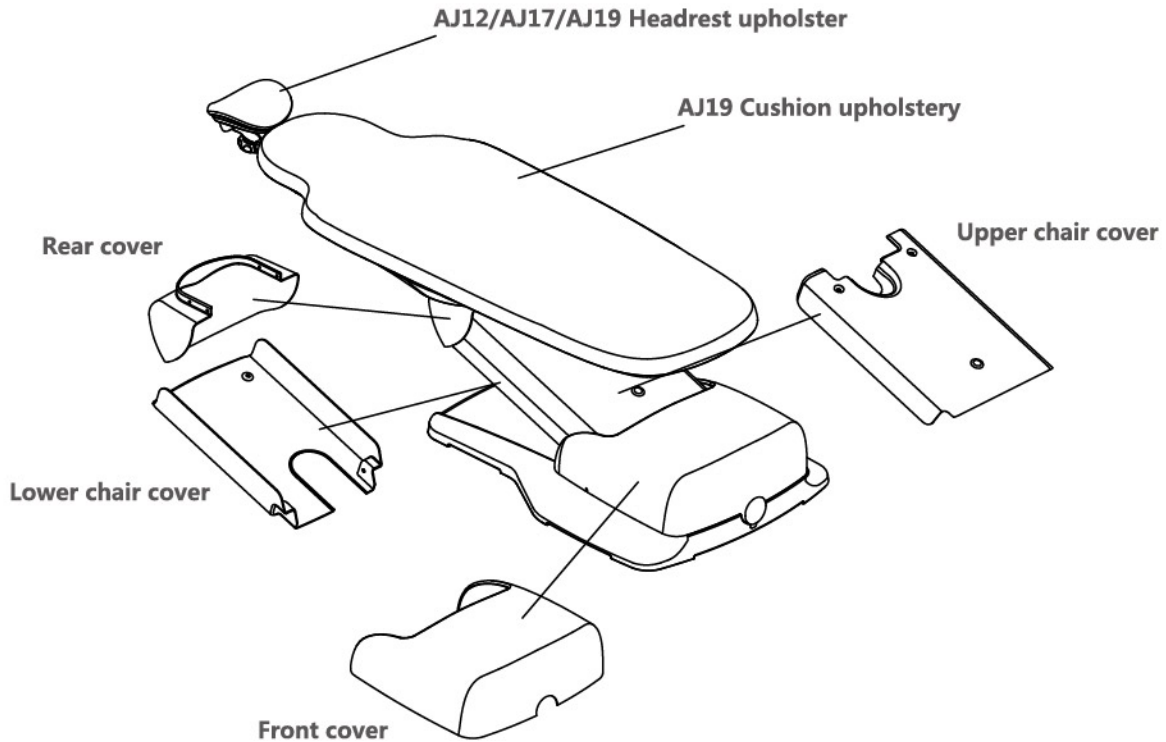
For AJ17 Chair

	Part number	Retail Price
Rear cover of cushion for AJ17	8022909A	\$168
Lower chair cover for AJ17	8020788B	\$70
Upper chair cover for AJ17	8020839A	\$84
Rear bottom cover for AJ17	8022603A	\$120
Front cover for AJ17	8023791A	\$174

Upholsteries

AJ12/AJ15/AJ16/AJ17/AJ19 Headrest upholstery		AJ17 Backrest upholstery for shoulder		AJ17 Backrest upholstery for waist		AJ17 Cushion upholstery	
Name	Part number	Name	Part number	Name	Part number	Name	Part number
U3 Blue	8016054A	U3 Blue	8020290A	U3 Blue	8020356A	U3 Blue	8020422A ●
U4 Green	8016057A	U4 Green	8020278A	U4 Green	8020344A	U4 Green	8020410A ●
U12 Lemon Yellow	8020890A	U12 Lemon Yellow	8020893A	U12 Lemon Yellow	8020896A	U12 Lemon Yellow	8020899A ●
U13 Pink	8020851A	U13 Pink	8020854A	U13 Pink	8020857A	U13 Pink	8020860A ●
Retail Price \$64		Retail Price \$126		Retail Price \$126		Retail Price \$378	

AJ19 Chair



For AJ19 Chair

	Part number	Retail Price
Rear cover For fixed chair for AJ15, AJ16, AJ19	A121402	\$80
Lower chair cover for AJ15/ AJ16/ AJ19	A121404	\$80
Upper chair cover for AJ15/ AJ16/ AJ19	A121408	\$80
Front cover for AJ16/ AJ19	A121405	\$106

Upholsteries

AJ12/AJ15/AJ16/AJ17/AJ19 Headrest upholstery

Name	Part number
U3 Blue	8016054A
U4 Green	8016057A
U12 Lemon Yellow	8020890A
U13 Pink	8020851A

Retail Price **\$64**

AJ19 Cushion upholstery

Name	Part number
U3 Blue	8021937A ●
U4 Green	8017380A ●
U12 Lemon Yellow	8021940A ●
U13 Pink	8021943A ●

Retail Price **\$630**

EOS Extraoral Dental Suction System



Suction System



EOS Extraoral Dental Suction System

Standard Features

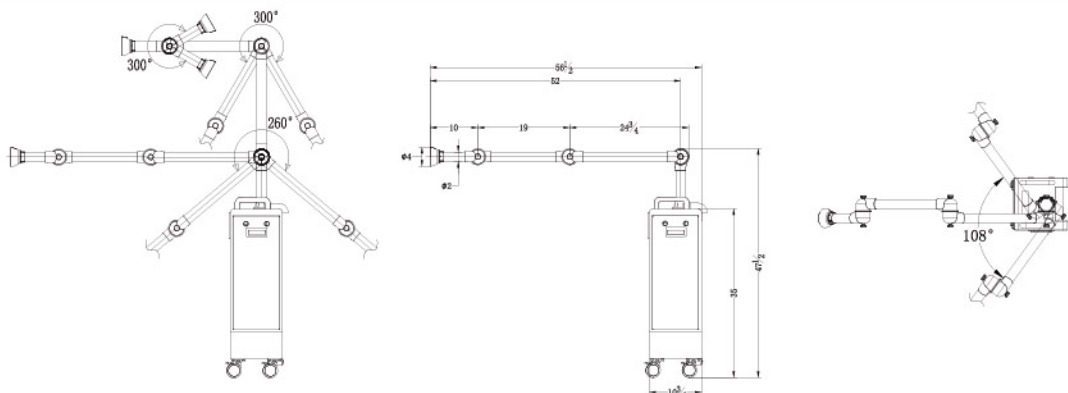
The EOS system Aerosols and Droplets annihilator is designed and engineered to reduce droplet and aerosol spray that is an innate part of dental care. During dental surgery, droplets and aerosols are passed on to the dentist and staff's bodies.

ADS Extraoral Dental Suction System removes the Droplets and Aerosols effectively, highly reduce the infection risk, keep clean air for the surgery .

Part number: A122001

Retail Price \$2,950

Dimensions



Unit: inch

EOS Suction Hood II

Part number: 8028498

Retail Price \$ 46



EOS Suction Hood Connector II

Part number: 8027442

Retail Price \$ 20



EOS Suction Mouth

Piece Hood set II with 1 hoods

Part number: A121962

Retail Price \$ 50



EOS Suction Mouth

Piece Hood set II with 3 hoods

Part number: A121961

Retail Price \$ 142





EOS Extraoral Dental Suction System II

Standard Features

The new noise reduction suction arm reduces the noise by 6~7 db, thereby reducing high-frequency noise. The latest joint of the new suction arm can be adjusted in multiple angles, making it more flexible and convenient to use.

Part number: **A122004**
Retail Price **\$3,190**



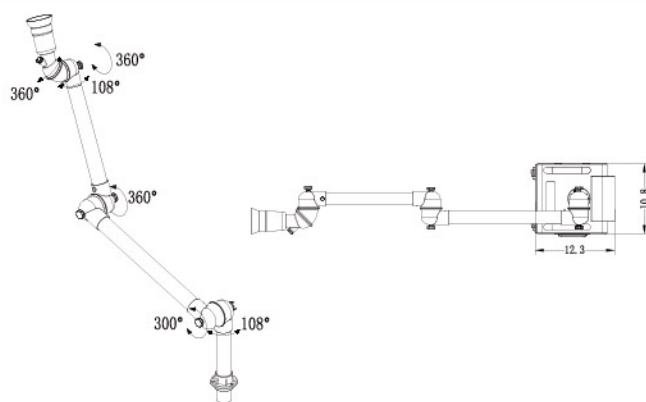
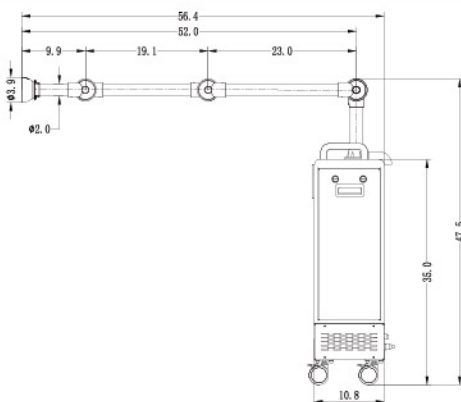
EOS Noise reduction arm

Adjustable joints, more flexible and convenient, adjustable to any angle

Part number: **A121959**
Retail Price **\$240**

Dimensions

Unit: inch



EOS Parts

HEPA filter

Part number: **8026563**
Retail Price **\$250**



Fine Filter

Part number: **8026722**
Retail Price **\$50**



Noise filter stick

Length **14.76"**

Part number: **8026608**
Retail Price **\$38**



Noise filter stick

Length **5.83"**

Part number: **8026719**
Retail Price **\$12**



UV-C Light

(One piece)

Part number: **8026623**
Retail Price **\$100**



EOS motor

with case

Part number: **A121955**
Retail Price **\$780**



EOS motor

Part number: **8026635**
Retail Price **\$660**



EOS motor cover

Part number: **8027541**
Retail Price **\$120**



EOS Suction

System Board ADS

Part number: **8027346**
Retail Price **\$400**



EOS Control panel KX-1

Part number: **8026782**
Retail Price **\$80**



EOS Case

Part number: **8026686**
Retail Price **\$600**



EOS Suction

System Wheel

Part number: **8026605**
Retail Price **\$40**



EOS Transformer

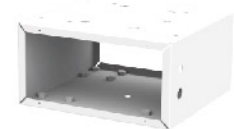
Part number: **8027319**
Retail Price **\$300**



EOS Transformer

Cover KX-1

Part number: **8027334**
Retail Price **\$200**



EOS Cooling Fan

Part number: **8026767**
Retail Price **\$50**



Wind cover

Part number: **8026677**
Retail Price **\$60**



EOS Case Panel

Part number: **8026695**
Retail Price **\$240**



Centre Post

of the first joint

Part number: **A121939**
Retail Price **\$64**



EOS Parts

Suction arm of the first joint

Part number: **A121941**
Retail Price **\$72**



Suction arm of the second joint

Part number: **A121943**
Retail Price **\$72**



Suction arm of the third joint

Part number: **8026746**
Retail Price **\$52**



KX-1 Connector

Part number: **8026899**
Retail Price **\$44**



Fuse holder

Part number: **8015025**
Retail Price **\$ 20**



EOS fuse

6GFU-F25A110V
Part number: **8027343**
Retail Price **\$ 6**



EOS Nut handle (M5, Outer diameter 1.57")

Part number: **8027070**
Retail Price **\$16**



EOS Nut handle (M5, Outer diameter 0.98")

Part number: **8026758**
Retail Price **\$16**



KX-1 Fixed shaft

Part number: **8026761**
Retail Price **\$10**



KX-1 Fixed shaft kit

Part number: **A121953**
Retail Price **\$ 36**



Power cable KX-1

Part number: **8027340**
Retail Price **\$ 30**



O-ring of KX-1 Connector KX-1

Part number: **8026737**
Retail Price **\$ 6**



KX-1 Main board connection line

Part number: **8026818**
Retail Price **\$ 10**





AT1000 Oil Free Air Compressor

Standard Features

The ADS line of compressors are specifically designed and engineered for individual and large clinic practices. All of our compressors have been designed to produce oil free, dry air while providing continuous air flow to dental operatories.

Part number: A123003

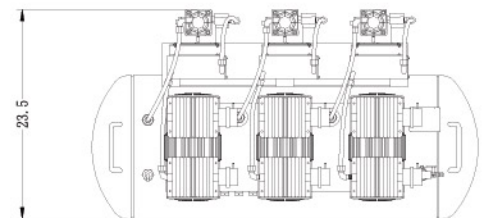
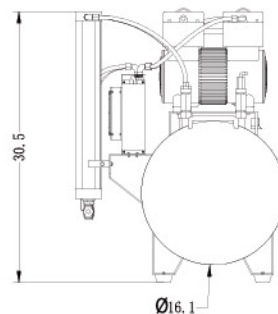
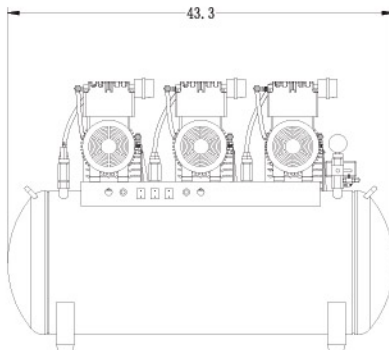
Retail Price \$11,812

Specifications:

Power Supply:	AC 220V±5% 50/60Hz	Exhaust Volume:	13.8CFM@58psi	ON/OFF Pressure:	72.5/116 psi
Power:	6hp	Max Pressure:	116psi	Noise:	70db
Environment Temperature:	40~105 °F	Overall Dimension:	43.3 inch*23.5 inch*30.5 inch		
Air Tank Volume:	38gal	Maximum User Number:	8~10		

Dimensions

Unit: inch





AT600 Oil Free Air Compressor

Standard Features

The ADS line of compressors are specifically designed and engineered for individual and large clinic practices. All of our compressors have been designed to produce oil free, dry air while providing continuous air flow to dental operatories.

Part number: A123002

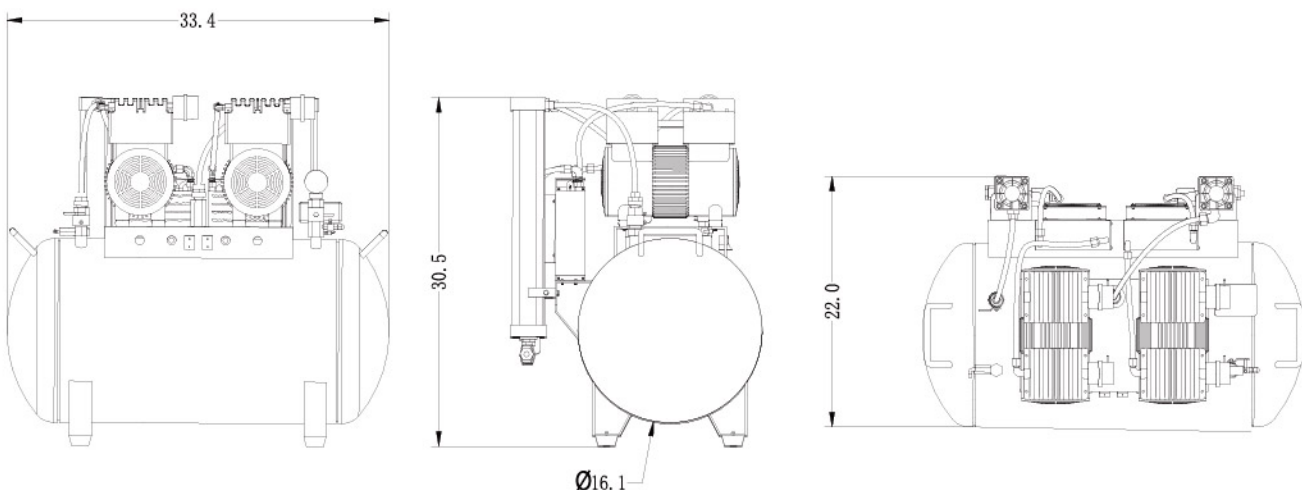
Retail Price \$ 8,426

Specifications:

Power Supply:	AC 220V±5% 50/60Hz	Exhaust Volume:	9.2CFM@58psi	ON/OFF Pressure:	72.5/116 psi
Power:	4 hp	Max Pressure:	116psi	Noise:	70db
Environment Temperature:	40~105 °F	Overall Dimension:	33.4 inch*23.5 inch*30.5 inch		
Air Tank Volume:	29gal	Maximum User Number:	5~6		

Dimensions

Unit: inch





AT300 Oil Free Air Compressor

Standard Features

The ADS line of compressors are specifically designed and engineered for individual and large clinic practices. All of our compressors have been designed to produce oil free, dry air while providing continuous air flow to dental operatories.

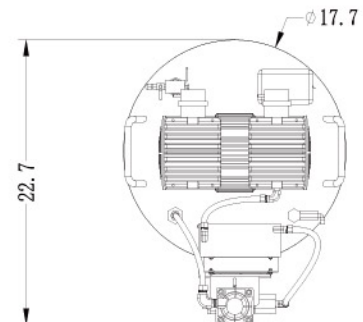
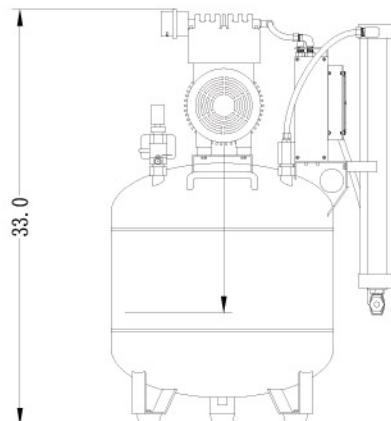
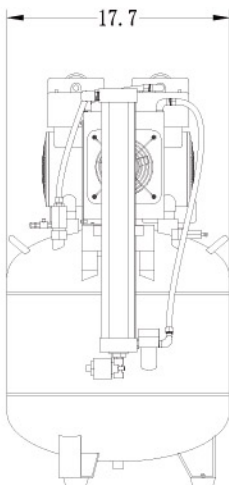
Part number: A123001
Retail Price \$ 5,669

Specifications:

Power Supply:	AC 220V±5% 50/60Hz	Exhaust Volume:	4.6CFM@58psi	ON/OFF Pressure:	72.5/116 psi
Power:	2 hp	Max Pressure:	116psi	Noise:	66db
Environment Temperature:	40~105 °F	Overall Dimension:	17.7 inch*22.7 inch*33 inch		
Air Tank Volume:	18.5gal	Maximum User Number:	3~4		

Dimensions

Unit: inch





AT260 Oil Free Air Compressor

Standard Features

The ADS line of compressors are specifically designed and engineered for individual and large clinic practices. All of our compressors have been designed to produce oil free, dry air while providing continuous air flow to dental operatories.

Part number: A123004

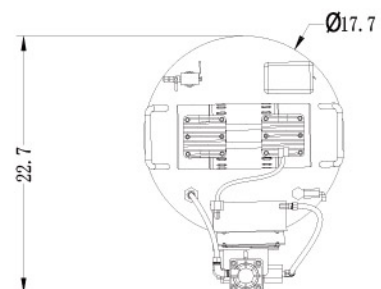
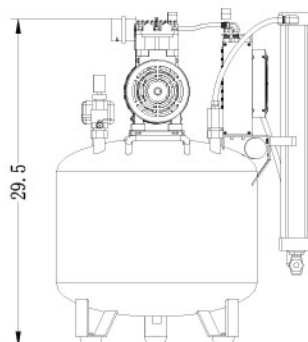
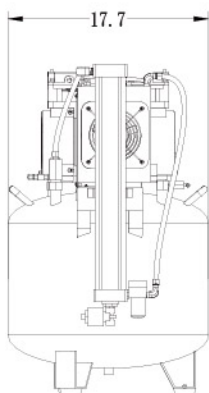
Retail Price \$ 4,600

Specifications:

Power Supply:	AC 110V±5% 50/60Hz	Exhaust Volume:	3.5CFM@58psi	ON/OFF Pressure:	72.5/116 psi
Power:	1.5 hp	Max Pressure:	116psi	Noise:	66db
Environment Temperature:	40~105 °F	Overall Dimension:	18 inch*18inch*29.5 inch		
Air Tank Volume:	13 gal	Maximum User Number:	2~3		

Dimensions

Unit: inch



Compressor Parts

Compressor Noise Reduction Adapter

Part number: **7001813**
Retail Price **\$45**



Compressor Valve

Part number: **7001495**
Retail Price **\$26**



Compressor Safety Valve

Part number: **7009955**
Retail Price **\$35**



Compressor Pressure Gauge

Part number: **7009958**
Retail Price **\$92**



Compressor Pressure Switch

Part number: **7007246**
Retail Price **\$77**



Compressor Exhaust Valve Connector

Part number: **7009964**
Retail Price **\$21**



Compressor Exhaust Valve

Part number: **7001150**
Retail Price **\$58**



Compressor Drain Valve

Part number: **7001153**
Retail Price **\$58**



Compressor Capacitance

Part number: **7009967**
Retail Price **\$109**



Compressor Piston Ring

Part number: **7002737**
Retail Price **\$64**



Compressor Cylinder

Part number: **7003175**
Retail Price **\$231**



AT300 Compressor Selector Valve

Part number: **7002773**
Retail Price **\$62**



AT600/AT1000 Compressor Selector Valve

Part number: **7009961**
Retail Price **\$62**



Compressor Filter

Part number: **7009970**
Retail Price **\$185**



Compressor Solenoid Valve

Part number: **7009973**
Retail Price **\$346**



Compressor Cooler Fan

Part number: **7009976**
Retail Price **\$200**



Compressor Head O Ring

Part number: **7009979**
Retail Price **\$30/Set**



Compressor Head

Part number: **7004318**
Retail Price **\$3,846**





Brown

U1



Champagne

U2



Blue

U3



Grey

U5



Cobalt Blue

U6



Misty Grey

U7



Orange

U8



Wine Red

U10



Black

U14



 www.adsdental.com/www.adsequip.com
 Technical Support: 800 488 9708
 Tel: (626)620 0456
 Add: 1590 S Milliken Ave., unit A, Ontario, CA 91761
 E-mail: sales@adsequip.com

